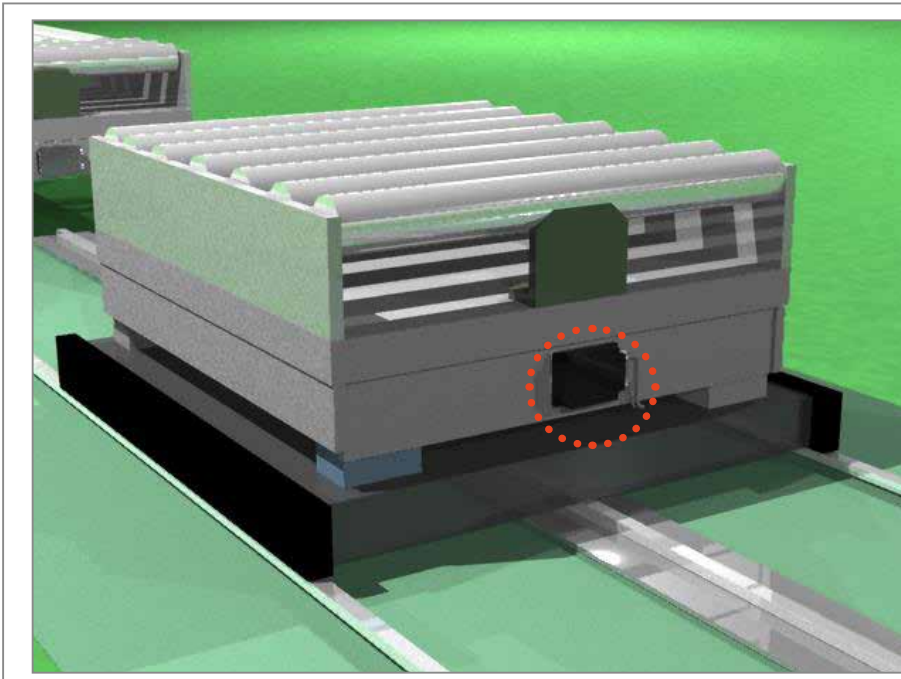


Supply power to Moller (Mortor driving roller)



Problems

- As the space to install a cable bear was necessary, it was a problem to secure space.
- By drawing around of cable bear, cabel disconnection was occured.

Solution



Remote system

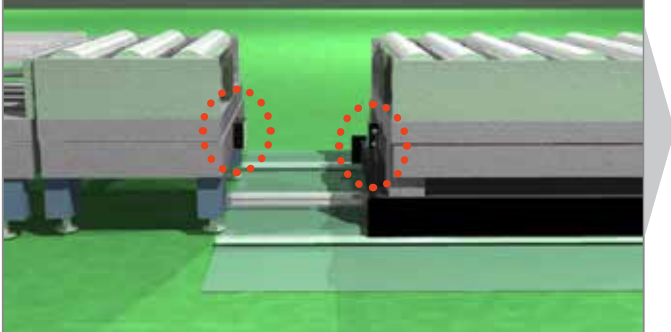
Advantages

- It is no longer necessary to secure space for a cable bear.
- Owing to wireless power supply, the problem of cable disconnection was solved.

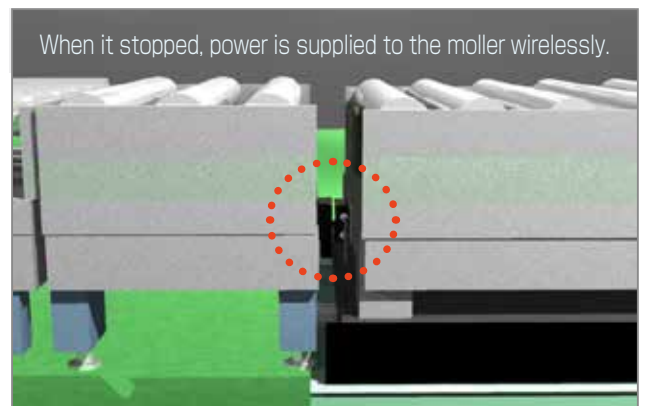
Application

- ① Attached Base part to A and B(Fixed part).
- ② Attached Remote part to both end of traverser.

Attached Base part to A and B (Fixed part) and Remote part to both end of traverser.



When it stopped, power is supplied to the moller wirelessly.



Construction of devices

