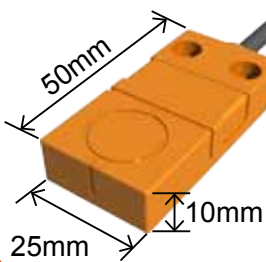


# Space-saving flat shape!

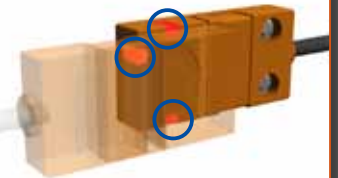
## Simultaneous transmission of power and signals of one sensor

### Compact flat shape

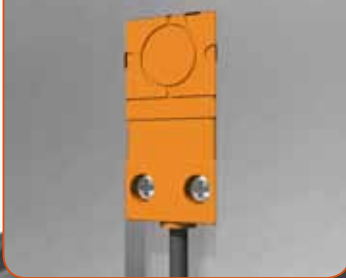


Output sensor  
RPE-F0N-PU-02 (NPN)  
RPE-F0P-PU-02 (PNP)

### Indicator visible from 4 directions

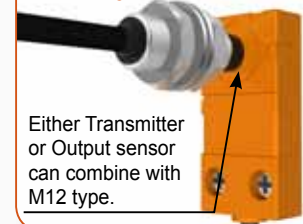


### Flush mountable



Transmitter  
RPT-F0D-PU-01

### Combination with M12 type

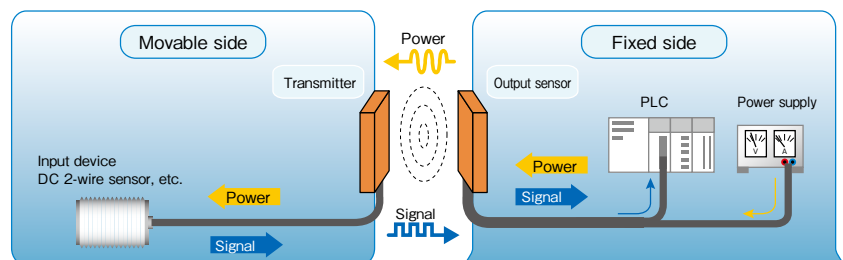


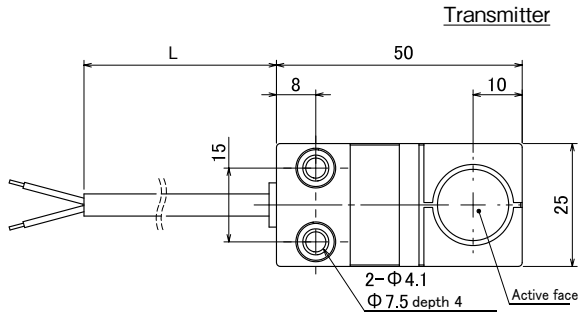
Either Transmitter or Output sensor can combine with M12 type.

## ■ System ■

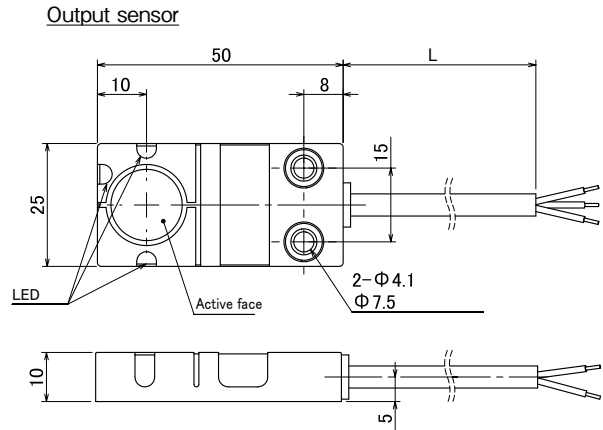
Remote system performs signal transmission and power supply simultaneously. It feeds back a output signal of a sensor to PLC.

Example Application: Detecting the turret position of the lathe.





A071



Transmitter	
Type code	DC 2-wire RPT-F0D-PU-01
Drive voltage	12 V ± 1.5 V DC
Drive current	5 mA
No. of input signal	1
Operating distance	0...1.5 mm
Center offset	± 1 mm
Drive current	5 mA
Operating temperature	0...+50 °C
Protection class	IP67
Cable	PUR / φ 4.5 , 2x0.34 mm <sup>2</sup>
Material Housing	ABS
Rear face	Aluminum
Weight	20 g + cable 30 g x 1 m
Remarks	

Output sensor	
Type code	NPN RPE-F0N-PU-02 PNP RPE-F0P-PU-02
Operational voltage	24 V DC ± 10 % (incl. ripple)
Current consumption	≤ 70 mA
No. of output signal	1
Load current	max. 50 mA
Frequency of operation	25 Hz
LED	Output indication
Operating temperature	0...+50 °C
Protection class	IP67
Cable	PUR / φ 4.5 , 3x0.34 mm <sup>2</sup>
Material Housing	ABS
Rear face	Aluminum
Weight	20 g + cable 30 g x 2 m
Remarks	

Applicable sensor

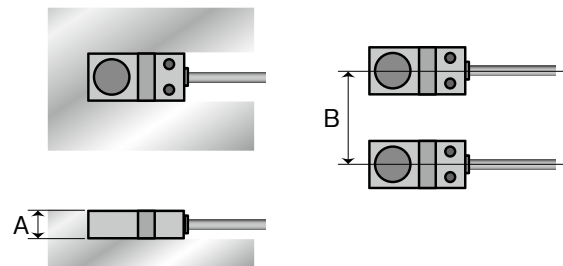
Supply voltage	12V DC
Current consumption	---
Residual voltage	≤ 3.5V
Load current	≤ 5 mA

Please use a sensor which works definitely in the condition described on left.

Installation

In order to avoid influence of surrounding metal, or to avoid mutual influence between parallel-mounted Transmitter or Output sensors, keep the minimum distances as described below.

Surrounding metal      Parallel installation

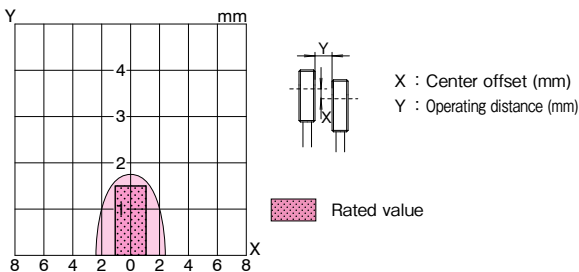


RPT-F0/RPE-F0 can be flush-mounted to the metal, however its cable entry side should be keep free zone.

Type code	A(mm)	B(mm)
RPT-F0D-PU-__	10	100
RPE-F0N-PU-__, RPE-F0P-PU-__		

Typical Transmitting Diagram (supply voltage 24 V/non-flush mount)

RPT-F0D-PU-\_\_ / RPE-F0-PU-\_\_



When combined with the flat shape type and M12 type, the operating distance is 0 ... 1.5mm same as the flat type.

**B & PLUS K.K.**

274 Gomyo Tokigawa-machi  
Hiki-gun Saitama 355-0343 Japan  
E-mail : b-plus@b-plus-kk.jp

<http://www.b-plus-kk.jp>

**B&PLUS USA**

3655 Torrance Blvd., 3rd Floor,  
Torrance, CA 90503  
E-mail : b-plus-usa@b-plus-kk.com

<http://www.b-plus-kk.com>

\*Specification is subject to change without notice.