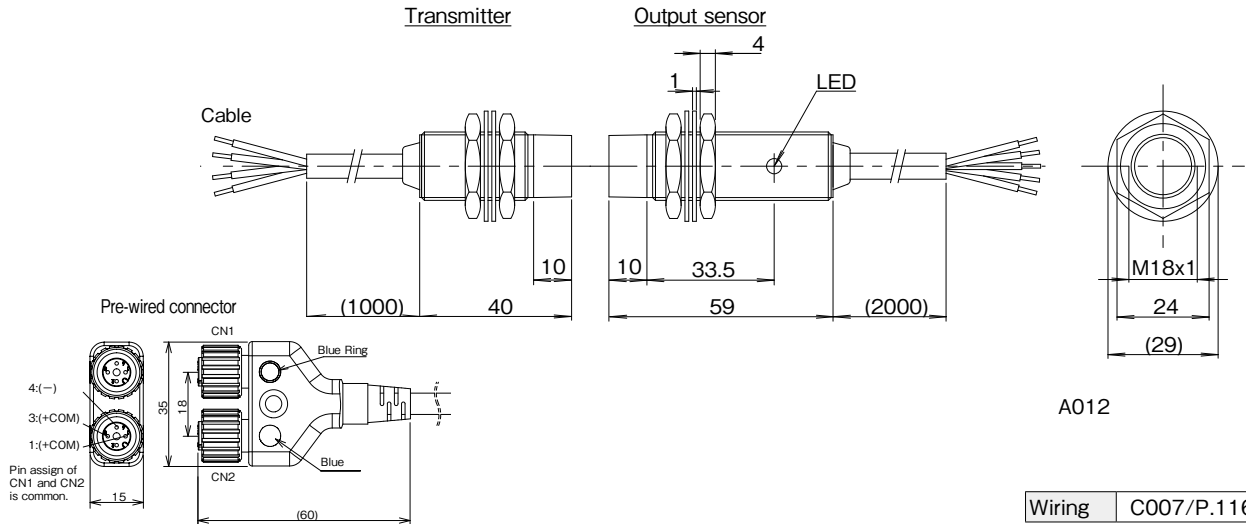


for max. 2 sensors / Size : M18

Operating distance  
0.5...4mm



A012

Wiring C007/P.116

		Transmitter	
		Cable	Pre-wired connector
Type Code	DC 2-wire	RPT2-1804D-PU-01	RPT2-1804D-CP0.3
Drive voltage		12V ± 1.5V DC	
Drive current		5mA per sensor	
No. of input signal		2	
Operating distance		0.5...4mm	
Center offset		± 2.5mm	
Drive current		5mA	
Operating temperature		0...+50°C	
Protection class		IP67	
Cable		PUR / Ø6, 4x0.5mm <sup>2</sup>	PVC / Ø6
Material	Housing	Nickel plated brass	
	Active face	Nylon 12	
Weight		Body 50g + Cable 50g x 1m /+Connector cable 30cm 80g	
Anti-weld slag		Cable	Pre-wired connector
Type Code	DC2-wire	RPT2-TF1804D-PU-01	RPT2-TF1804D-CP0.3
	Material	Housing:Fluorinated resin coated/Active face:Fluorinated resin	

		Output sensor	
		Type	Code
	NPN	RPE2-1804N-PU-02	
	PNP	RPE2-1804P-PU-02	
Operational voltage		24V DC ± 10% (incl. ripple)	
Current consumption		≤ 150mA	
No. of output signal		2 +1 (InZone)	
Load current		max.50mA per output	
Frequency of operation		25Hz	
LED		InZone	
Operating temperature		0...+50°C	
Protection class		IP67	
Cable		PUR / Ø6.4, 5x0.5mm <sup>2</sup>	
Material	Housing	Nickel plated brass	
	Active face	Nylon 12	
Weight		Body 60 g + Cable 60 g x 2 m	
Anti-weld slag	NPN	RPE2-TF1804N-PU-02	
Type Code	PNP	RPE2-TF1804P-PU-02	
	Material	Housing:Fluorinated resin coated/Active face:Fluorinated resin	

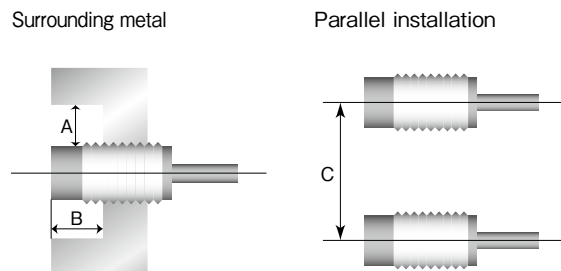
### Applicable sensor

Supply voltage	12V DC
Current consumption	---
Residual voltage	≤ 3.5V
Load current	≤ 5mA

Please use a sensor which works definitely in the condition described on left.

### Installation notes

In order to avoid influence of surrounding metal, or to avoid mutual influence between parallel-mounted Transmitters or Output sensors, keep the minimum distances as described below.



Type Code	A(mm)	B(mm)	C(mm)
RPT2-1804D-PU-__	20	15	110
RPE2-1804 □ -PU-__			

### Typical Transmitting Diagram (Supply voltage at 24V/non-flush mount)

RPT2-1804D-PU-\_\_ / RPE2-1804 □ -PU-\_\_

