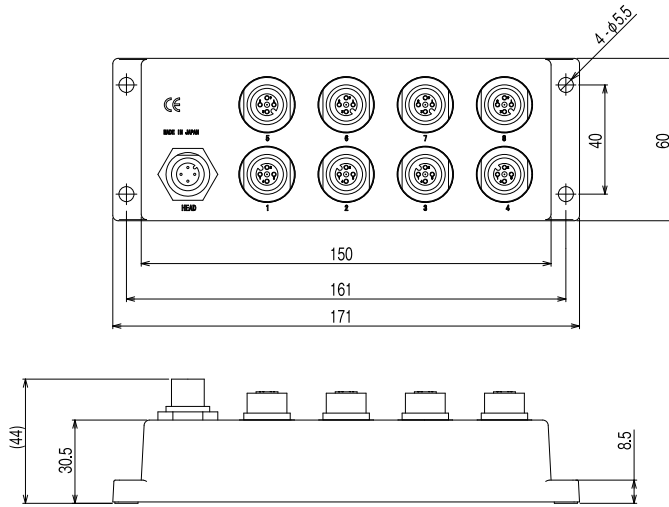


for max. 8 sensors Terminal unit type / Remote Terminal



A069

This dimensional drawing shows connector type 1.

Wiring C025/P.119

Transmitter / Remote terminal	
Type Connector type 1	RS8TA-222P-S04
Code Connector type 2	RS8T-222P-S04
Applicable sensor	DC 3-wire PNP (M12 connector 4-pin : 1:+, 3:-, 4:SI)
Drive voltage	12V DC $\pm$ 10%
Drive current	150mA (depending on the operating distance and the center offset : See Typical Transmitting Diagram on next page)
Operating temperature	0...+50°C
Protection class	IP67
Connection Sensor	Connector M12 (Female) x 8
Transmitting head	Connector M12 (Male) x 1
Material Housing	PPS
Weight	600 g
Remarks	The unused connectors should be protected by a protection cap. (option:Type Code XS2Z-12)

### Applicable sensor

Supply voltage	12V DC
Total current consumption*	$\leq$ 150mA
Residual voltage	$\leq$ 3.5V
Load current	---

\*Total current consumption of all connected sensor.

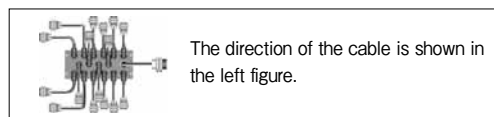
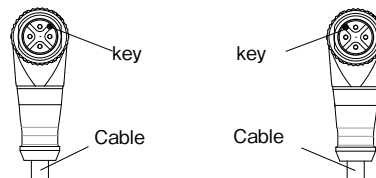
Please use a sensor which works definitely in the condition described on left.

Pin assigned of connector for sensors		<p>1 : + 2 : 3 : - 4 : SI</p>
---------------------------------------	--	---

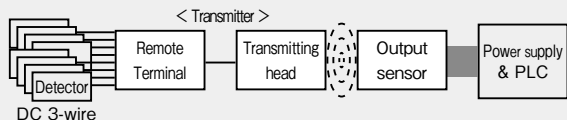
### Applicable angle connector type (Detector's connector)

When using an angle connector, please use a connector of which key is positioned same as the following figure.

1 : Applicable to RS8TA-222 2 : Applicable to RS8T-222



The straight connector can be used to both type of Remote Terminal.



RS8TA-222  
RS8T-222

RSH8T-30  
RSH8E-30

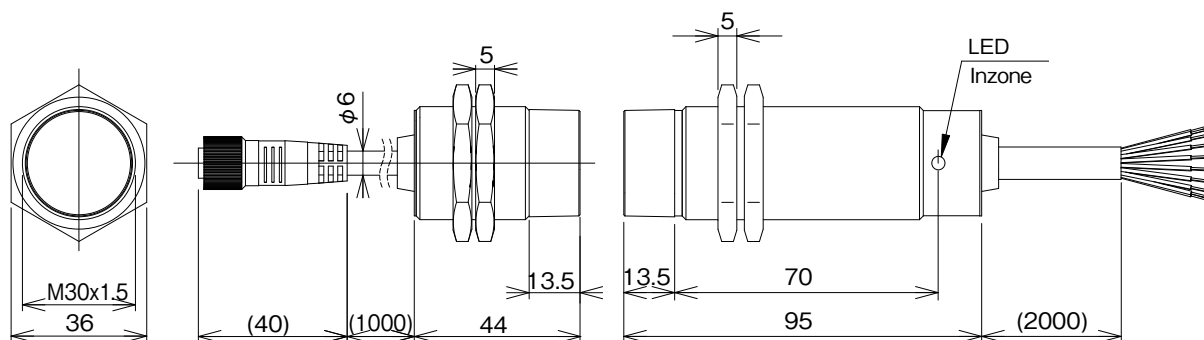
8  
signal

for max. 8 sensors Terminal unit type / Size : M30

Operating distance  
2...8mm

Transmitting head

Output sensor

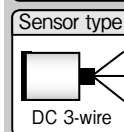
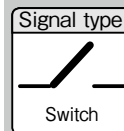


A057

Wiring C025/P.119

Transmitter / Transmitting head	
Type Code	connect to Remote Terminal <b>RSH8T-030-PU-CP1.0</b>
Drive voltage	22V ± 1.5V DC
Drive current	120mA
Remote terminal	RS8TA-222_-S04、RS8T-222_-S04
Operating distance	2...8mm
Center offset	± 3mm
Drive current	120mA
Operating temperature	0...+50°C
Protection class	IP67
Cable	M12 connector Cable (1m、3m、5m)
Material Housing	Nickel plated brass
Active face	Nylon 12
Weight	Body 120 g + Cable 50 g x 1 m
Anti-weld slag Type Code	connect to Remote Terminal <b>RSH8T-TF030-PU-CP1.0</b>
Material	Housing:Fluorinated resin coated/Active face:Fluorinated resin

Output sensor	
Type Code	NPN RSH8E-030N-PU-02 PNP RSH8E-030P-PU-02
Operational voltage	24V DC ± 10% (incl. ripple)
Current consumption	≤ 500mA
No. of output signal	8 +1 (InZone)
Load current	max.50mA per output
Frequency of operation	20Hz
LED	InZone
Operating temperature	0...+50°C
Protection class	IP67
Cable	PUR/ Ø7.7、2x0.5mm <sup>2</sup> +9x0.18mm <sup>2</sup>
Material Housing	Nickel plated brass
Active face	Nylon 12
Weight	Body 160 g + Cable 75 g x 2 m
Anti-weld slag Type Code	NPN RSH8E-TF030N-PU-02 PNP RSH8E-TF030P-PU-02
Material	Housing:Fluorinated resin coated/Active face:Fluorinated resin



Remote Sensor

DC 3-wire detector type

DC 3-wire type Terminal unit

DC 2-wire detector type

DC 2-wire type Terminal unit

Exclusive detector type

Thermocouple type

Resistance thermometer type

Load cell type

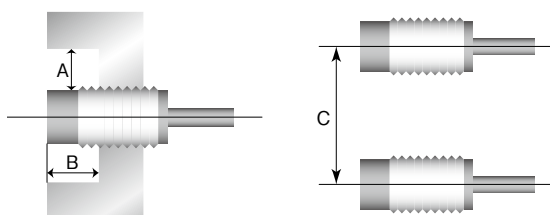
Analog sensor type

### Installation notes

In order to avoid influence of surrounding metal, or to avoid mutual influence between parallel-mounted Transmitters or Output sensors, keep the minimum distances as described below.

Surrounding metal

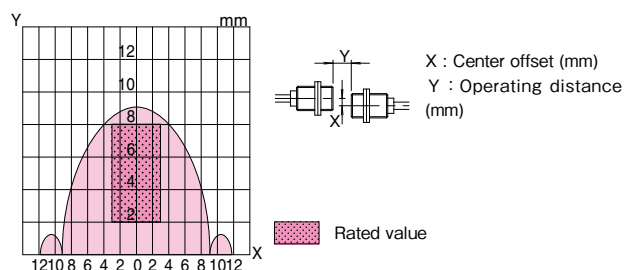
Parallel installation



Type Code	A(mm)	B(mm)	C(mm)
RSH8T-030-PU-CP__	30	30	160
RSH8E-030 □ -PU-__			

### Typical Transmitting Diagram (Supply voltage at 24V/non-flush mount)

RSH8T-030-PU-CP\_\_ / RSH8E-030 □ -PU-\_\_



Exclusive sensor

Terminal box Other unit

Wiring

Products for maintenance

Special spec.

Alphanumeric product list