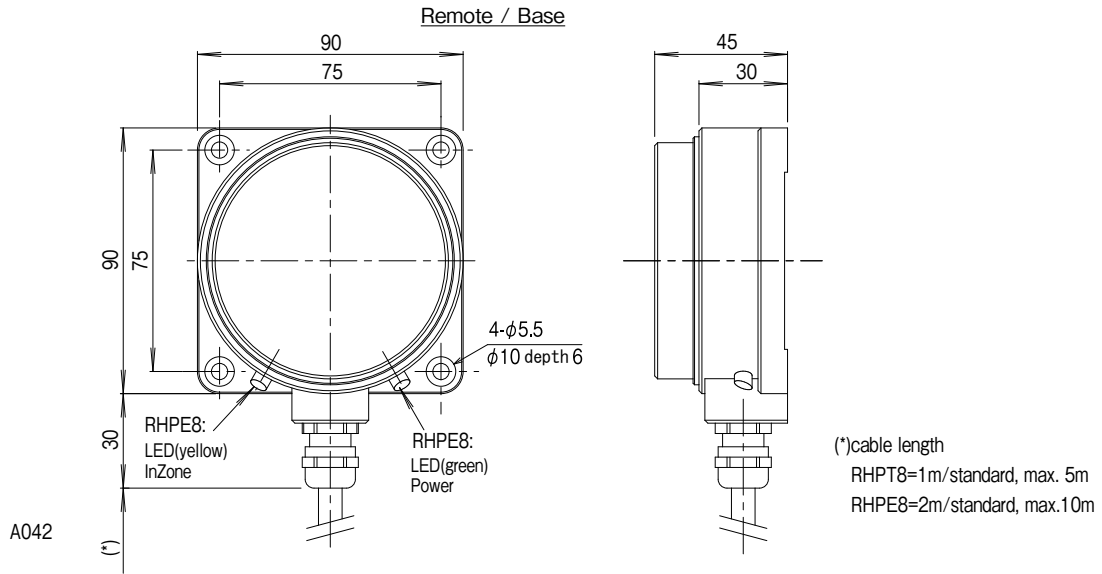


4 + 4 switch signal / Size : 90 x 90

Operating distance
3...10mm

Remote and Base
shared dimension



Wiring C019/P.122

Remote	
Type	NPN input RHPT8-8010N-C3-PU-01
Code	PNP input RHPT8-8010P-C3-PU-01
Drive voltage	24V ± 1.5V DC
Drive current	max.300mA
No. of signal	input : 4 + output : 4
Operating distance	3...10mm
Center offset	± 7mm
Drive current	≤ 300mA
Operating temperature	0...+50°C
Protection class	IP67
Cable	PUR / Ø7.7 , 2x0.5mm ² +9x0.18mm ²
Material	Housing: Aluminum + alumite processing (metal part) Active face: ABS + PBT (resin part)
Weight	Body 620 g + cable 75 g x 1 m
Remarks	

Base	
Type	NPN output RHPE8-8010N-C3-PU-02
Code	PNP output RHPE8-8010P-C3-PU-02
Operational voltage	24V DC ± 10% (incl. ripple)
Current consumption	≤ 1.5A
No. of signal	input : 4 + output : 4
Load current	max.50mA per output
Frequency of operation	40Hz
LED	InZone/Power
Operating temperature	0...+50°C
Protection class	IP67
Cable	PUR / Ø7.7 , 2x0.5mm ² +9x0.18mm ²
Material	Housing: Aluminum + alumite processing (metal part) Active face: ABS + PBT (resin part)
Weight	Body 620 g + cable 75 g x 2 m
Remarks	

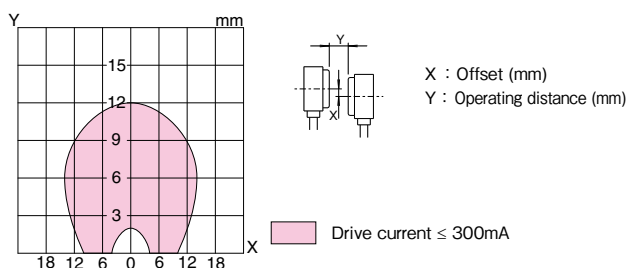
Applicable sensor and actuator

Remote can be connected up to 4 sensors and 4 actuators.

Supply voltage	24V DC	- Sensors and actuators should have 24V DC rating.
Total current consumption	300mA 以下	- The total current consumption of detectors and driving units must not exceed the rated drive current.
Residual voltage	---	
Load current	---	

Typical Transmitting Diagram (Supply voltage at 24V/non-flush mount)

RHPT8-8010 □ -C3-PU-__ / RHPE8-8010 □ -C3-PU-__

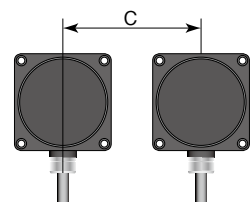


Installation notes

In order to avoid influence of surrounding metal, or to avoid mutual influence between parallel-mounted Remote or Base, keep the minimum distances as described below.

Surrounding metal

Parallel installation



Type Code	A(mm)	B(mm)	C(mm)
RHPT8-8010 □ -C3-PU-__	50	45	300
RHPE8-8010 □ -C3-PU-__			