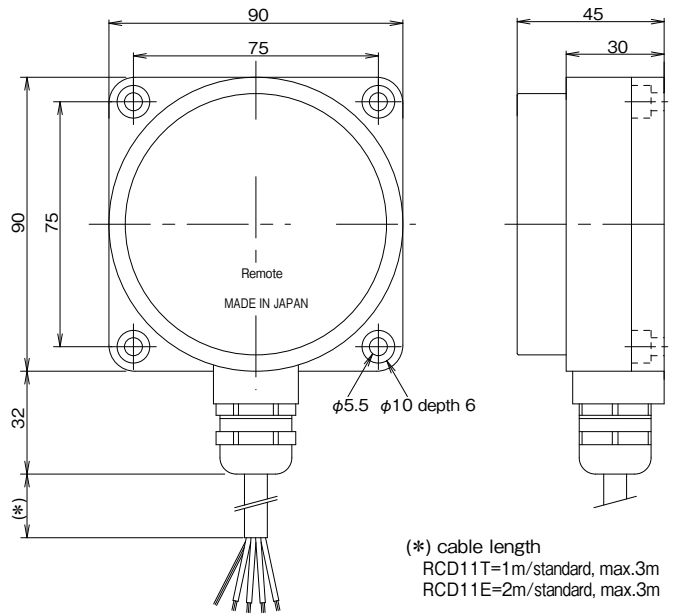


RS-232C / Size : 90 x 90

Operating distance
3...10mm

Remote and Base
shared dimension



(*) cable length
RCD11T=1m/standard, max.3m
RCD11E=2m/standard, max.3m

Wiring	
+24V	Red
0 V	Black
TXD	White
RXD	Green
GND	Shield

A045

Remote	
Type RS-232C Code	RCD11T-211-PU-01
Drive voltage	24V ± 1.5V DC
Drive current	max.1A
Operating distance	3...10mm 4...6mm
Center offset	± 5mm ± 5mm
Drive current	≤ 500mA ≤ 1A
Operating temperature	0...+50°C
Protection class	IP67
Cable	PUR / Ø7.6 , 4x0.75mm ² with shield
Material Housing	Aluminum + alumite processing (metal part)
Active face	ABS + PBT (resin part)
Weight	Body 600 g + cable 90 g x 1 m
Remarks	

Base	
Type RS-232C Code	RCD11E-211-PU-02
Operational voltage	24V DC ± 5% (incl. ripple)
Current consumption	≤ 3A
Communication Signal	RS-232C, Full duplex, asynchronous
Speed	4800...38400 bps, without data checking
Delay	≤ 20 μ sec
Operating temperature	0...+50°C
Protection class	IP67
Cable	PUR / Ø7.6 , 4x0.75mm ² with shield
Material Housing	Aluminum + alumite processing (metal part)
Active face	ABS + PBT (resin part)
Weight	Body 620 g + cable 90 g x 2 m
Remarks	

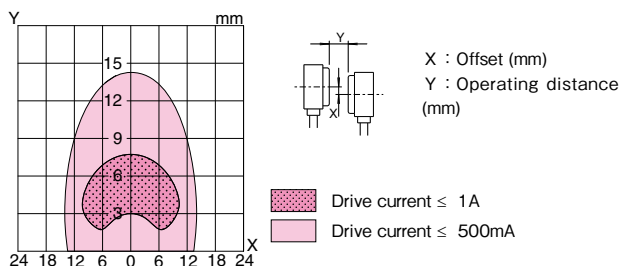
Applicable device

RCD11T can be connected a device with serial RS-232C interface.

Supply voltage	24V DC	The total of current consumption of all devices connected to Remote must not exceed 1A the drive current.
Current consumption	≤ 1 A	
Residual voltage	---	
Load current	---	

Typical Transmitting Diagram (Supply voltage at 24V/non-flush mount)

RCD11T-211-PU-__ / RCD11E-211-PU-__

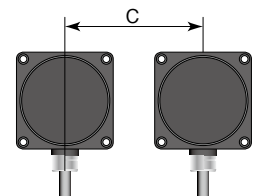


Installation notes

In order to avoid influence of surrounding metal, or to avoid mutual influence between parallel-mounted Remote and Base, keep the minimum distances as described below.

Surrounding metal

Parallel installation



Type Code	A(mm)	B(mm)	C(mm)
RCD11T-211-PU-__	50	45	300
RCD11E-211-PU-__			