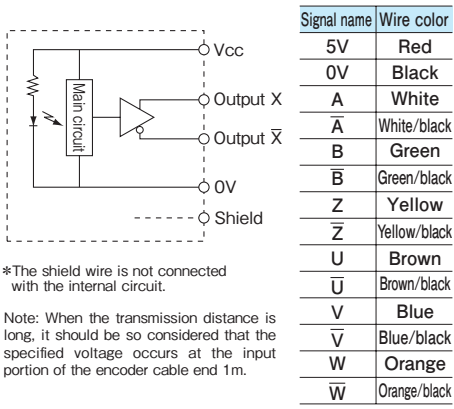
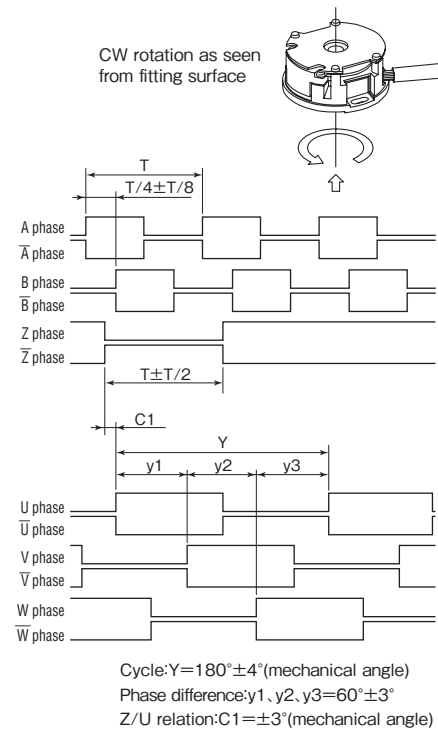




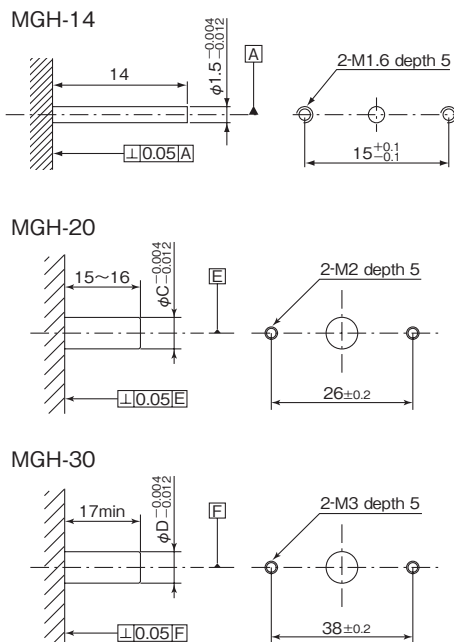
## Output circuit diagram



## Output waveforms



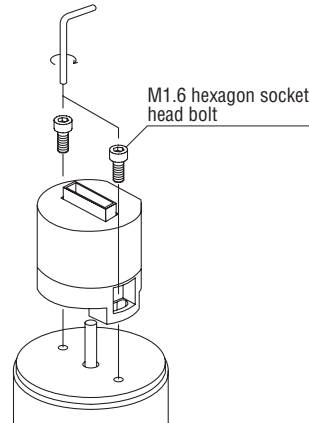
## Fitting shaft dimensions



## Assembling image of MGH series

### MGH-14

1. Fix the encoder to the base of rotating shaft.

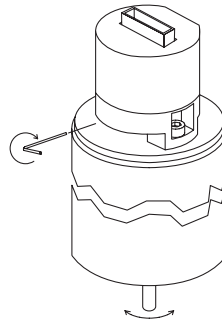


- **Tools to be used**  
0.71mm hexagon wrench  
1.5mm hexagon wrench

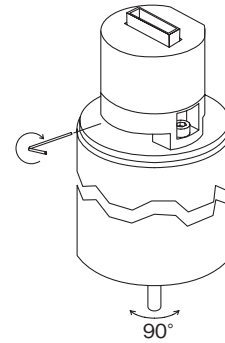
- **Attachment**  
Hexel stopping screw (M1.6) 2pcs

2. Phase U, output of moter rises at the same moment with of encoder.

3-1. Search for a screw by turning the rotating shaft and fix it.

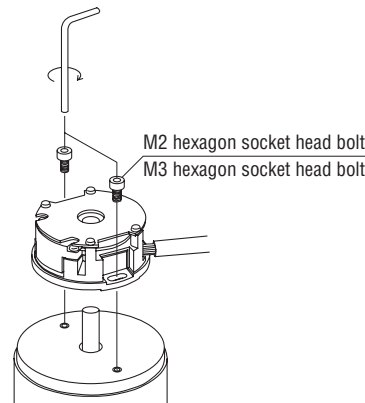


3-2. Turn the shaft 90° right or left and fix the other screw.



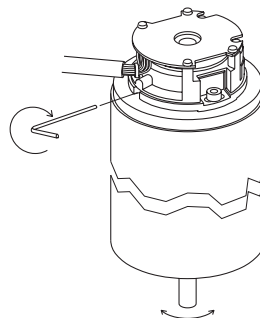
### MGH-20, 30

1. Fix the encoder to the base of rotating shaft.



- **Tools to be used**  
0.89mm hexagon wrench  
1.5mm hexagon wrench (MGH-20)  
2.5mm hexagon wrench (MGH-30)

2-1. Search for a screw by turning the rotating shaft and fix it.



2-2. Turn the shaft 90° right or left and fix the other screw.

