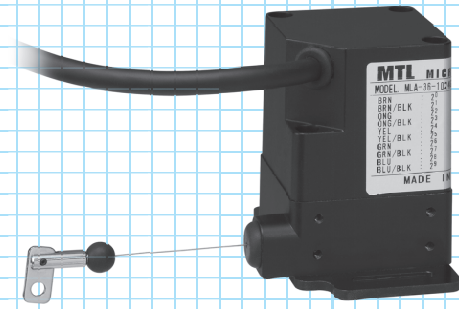


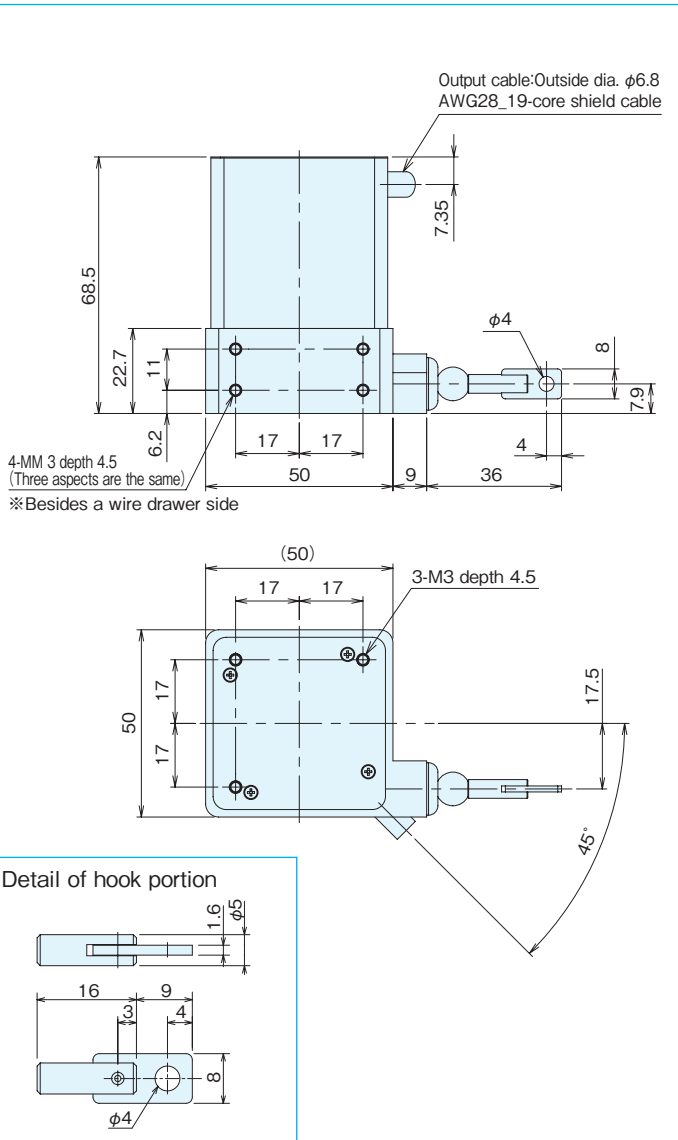
MLA-36 series

[Absolute LINEAR SCALE]

NEW

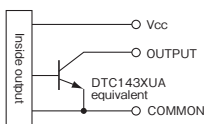


Outside dimensions



Output circuit diagram

Open collector output



Specifications

Type name	MLA-36- <input type="text"/> -6C <input type="text"/> -1000
Item	Pulse number <input type="text"/> Output code <input type="text"/> Option: No mark, V ● G=Gray code ● N=Pure binary code
Supply voltage	DC5V-5%~24V+15%
Current consumption	1050mA or less (under no load)
Output code	G: gray code N: pure binary code
Output logic	No mark: Positive logic (In absolute the place all transistors "ON") N: Negative logic (In absolute the place all transistors "OFF")
Output circuit	NPN open collector
Output capacity	Sink current 35mAmax, Residual voltage 0.5V (at 35mA)
Maximum response frequency	40kbit/s (10kbit/s at guaranteed accuracy)
measuring range	1000mm
Output pulse number	0.1mm (10 pulse/mm), 0.2mm (5 pulse/mm), 0.4mm (2.5 pulse/mm) [1024] , [512] , [256]
Stroke speed	1000mm/sec max
Wire tensile force	100~300g
Working ambient temperature/humidity	0°C~+50°C / RH35%~90% (no dewing)
Storage ambient temperature	-20~+80°C
Vibration resistance	Durability 10~55Hz, double amplitude 1.5mm 2 hours each in X, Y, and Z directions
Impact resistance	50G 3 times each in X, Y, and Z directions
Cable	Outside dia. $\phi 6.8$ 19-core vinyl wire Insulated shield cable (length: 0.5m)
Mass	400g or less (excluding cable)

Connection

Code color	Output signal	Code color	Output signal
Brown	2 ⁰	Purple	2 ¹⁰
Brown / Black	2 ¹	Purple / Black	2 ¹¹
Orange	2 ²	Gray	2 ¹²
Orange / Black	2 ³	Gray / Black	2 ¹³
Yellow	2 ⁴	White	2 ¹⁴
Yellow / Black	2 ⁵	White / Black	2 ¹⁵
Green	2 ⁶	Red	VCC
Green / Black	2 ⁷	Black	COMMON
Blue	2 ⁸	Shield (※)	Cable shield
Blue / Black	2 ⁹	-	-