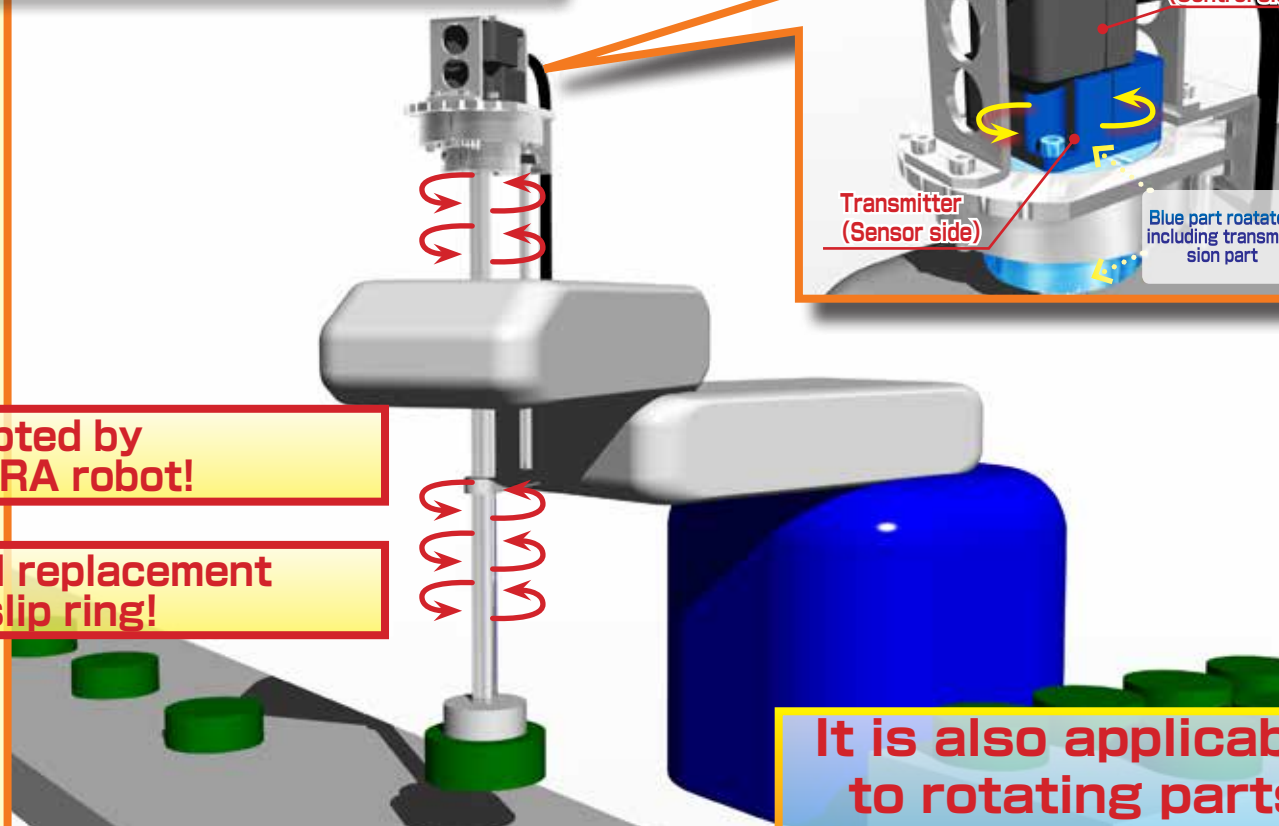


Very Strong and great advantage for utilizing in rotationg parts, such as Robot!!!

*Resolve the problem,
no more disconnecting of
the handling part!!*



Adopted by
SCARA robot!

Ideal replacement
for slip ring!

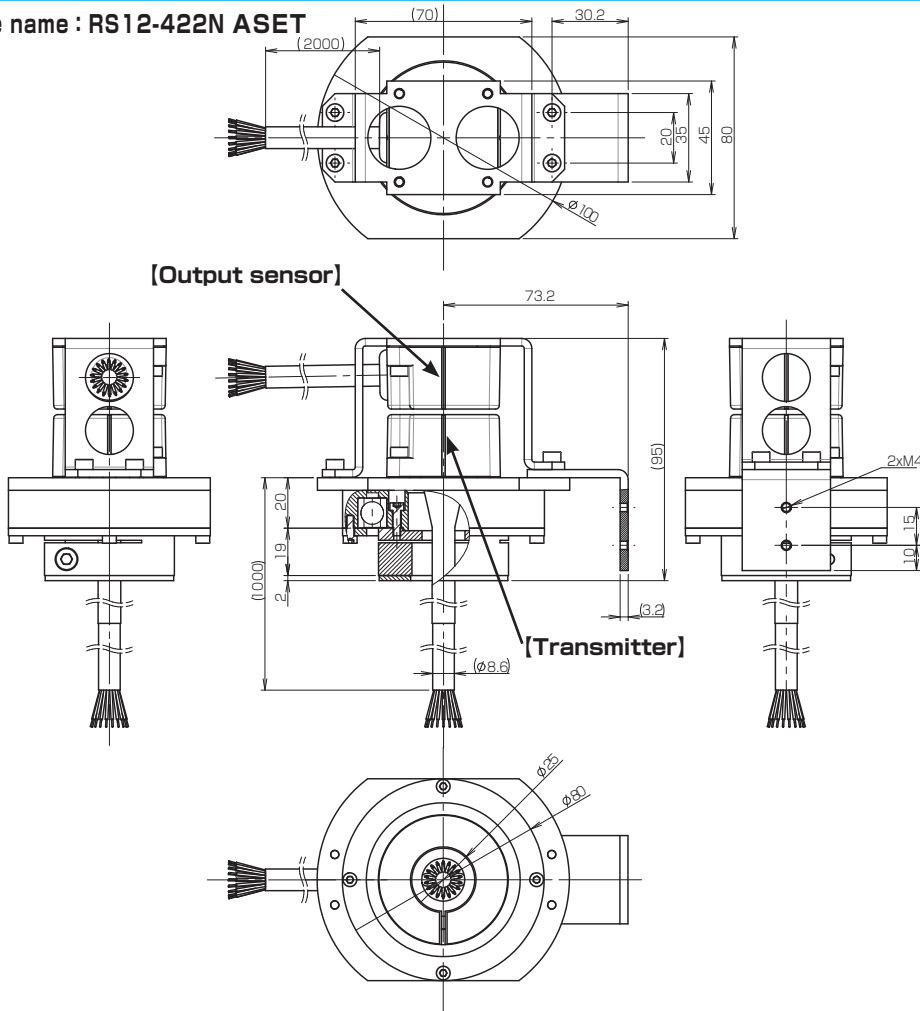
**It is also applicable
to rotating parts
such as turntable!**



- Simultaneously supplies 12V/150mA and transmits 12 signals to sensor for work detection
- DC2W and DC3W sensors can be used together!
- Can be installed later on the existing equipment.

Dimension

Type name : RS12-422N ASET



Applicable sensor

DC3W sensor

Supply voltage	12V DC
Total current consumption*	≤ 150 mA
Residual voltage	≤ 1.5V

DC2W sensor

Supply voltage	12V DC
Maximum working current value /1sensor	6mA

Please sure to use applicable detector switch according to the specification on left.

Specification of Output sensor

Supply voltage	24V DC ± 10% (including ripple)
Current consumption	≤ 600mA
LED indication	GN : STATUS LED OG : OUTPUT LED
Output type	NPN
Load current	≤ 50mA/1 output

PNP type will be released this winter.

Common specification

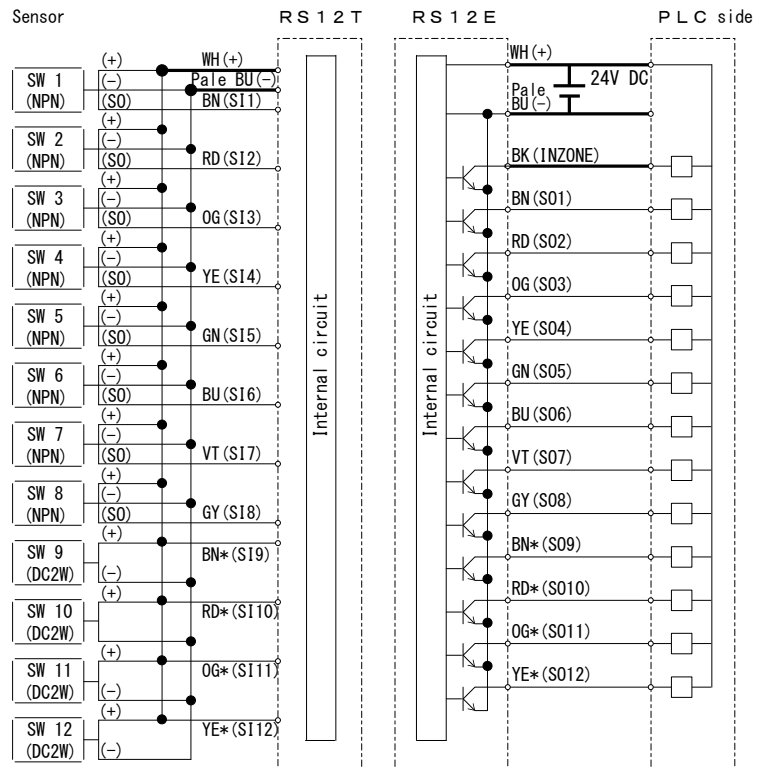
Operating temperature/humidity	0...+50°C /30...90%RH
Protection class	IP40
Connection	PUR φ 8.6 2x0.5mm+16x0.18mm
Material	output sensor/transmitter : ABS Output sensor stay : stainless Unit mounting stand : steel Others :Aluminum
Weight	Full unit : 1100g

Wiring diagram

- This is a wiring diagram for RS12-422N ASET.
- Max. 12 sensors can be connected.
- This is an example when DC2W sensor is connected to input signal lines S19 to S12.
- DC2/3 wire sensor can be connected to any input from S1 to S12.
- Cable GN* and BU* and VT* of RS12E/RS12T is not used.

[Wiring precautions]

- Please fix the transmission cable within 100 mm from the root part to avoid directly adding vibration on it.



Wireless Power Supply by
B & PLUS K.K.

Mail : b-plus-usa@b-plus-kk.com
Web : http://www.b-plus-kk.com

* Infor may change the mention contents such as specifications without a notice.
Thank you for understanding