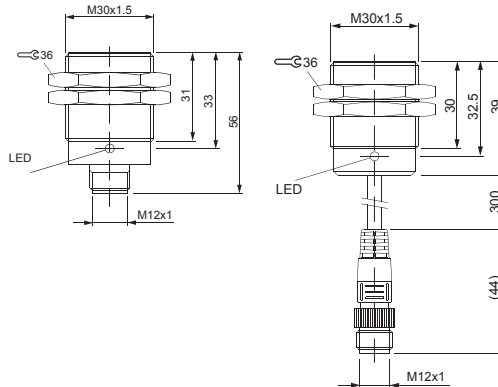


Housing size	M30 x 1.5	M30 x 1.5	-	-
Mounting type	Shield B2	Shield B2	-	-
Rated operating distance(Sn)	12mm	12mm	-	-
Assured operating distance(Sa)	0...9.6mm	0...9.6mm	-	-



Type number	DC2W N.O. N.C.	BCX-3012F -	BCX-3012F-CP03 -	-	-
Rated operational voltage(Ue)	12...24V DC	12...24V DC	12...24V DC	-	-
Supply voltage(Us)	10...30V DC	10...30V DC	10...30V DC	-	-
Voltage drop(Ud)	=<3.5V	=<3.5V	=<3.5V	-	-
Rated operational current(Ia)	4...100mA	4...100mA	4...100mA	-	-
Off-state current(Ir)	=<0.65mA	=<0.65mA	=<0.65mA	-	-
Circuit protection	Polarity, Short circuit	Polarity, Short circuit	Polarity, Short circuit	-	-
-	-	-	-	-	-
Ambient temperature range(Ta)	-25...+70degrees C	-25...+70degrees C	-25...+70degrees C	-	-
Frequency of operation(f)	200Hz	200Hz	200Hz	-	-
LED indication	Function, Setting	Function, Setting	Function, Setting	-	-
Protection class per IEC60529	IP67	IP67	IP67	-	-
Material	Housing Active surface	Nickel plated brass Nylon	Nickel plated brass Nylon	-	-
Connection	connector/M12	connector/M12	Cable with connector/M12	-	-
Cable	Outer sheath Diameter/core Length	- - -	- - -	-	-
Remarks	Pin assignment of NO &NC 1 = + , 3 = -	Pin assignment of NO &NC 1 = + , 3 = -	Pin assignment of NO &NC 1 = + , 3 = -	-	-