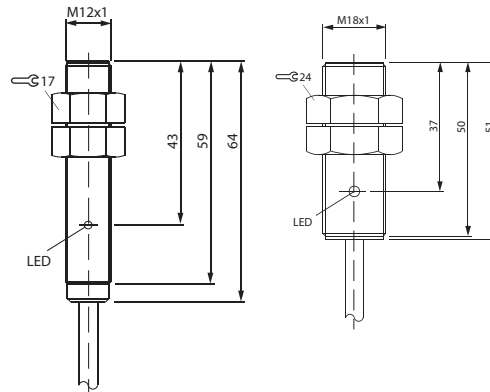
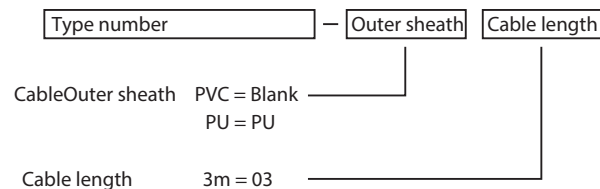


Housing size	M12 x 1	M18 x 1	-	-
Mounting type	Shield A	Shield A	-	-
Rated operating distance(Sn)	2mm	5mm	-	-
Assured operating distance(Sa)	0...1.6mm	0...4mm	-	-



Type number	PNP	N.O.	BES 516-325-ESTM	BES 516-326-ESTM	-	-
		N.C.	-	-	-	-
Type number	NPN	N.O.	BES 516-329-ESTM	BES 516-355-ESTM	-	-
		N.C.	-	-	-	-
Rated operational voltage(Ue)			12...24V DC	12...24V DC	-	-
Supply voltage(Ub)			10...30V DC	10...30V DC	-	-
Voltage drop(Ud)			=<1.5V	=<3.5V	-	-
Rated operational current(Ia)			200mA	130mA	-	-
No-load supply current(Io)			=<13mA	=<20mA	-	-
Off-state current(Ir)			=<0.08mA	=<0.08mA	-	-
Circuit protection			Polarity, Short circuit	Polarity, Short circuit	-	-
Ambient temperature range(Ta)			-25...+70degrees C	-25...+70degrees C	-	-
Frequency of operation(f)			1000Hz	500Hz	-	-
Function indication			Yes	Yes	-	-
Protection class per IEC60529			IP67	IP67	-	-
Material	Housing	PTFE coated brass		PTFE coated brass	-	-
	Active surface	PTFE		PTFE	-	-
	Nut	PTFE		PTFE	-	-
Connection			Cable	Cable	-	-
Cable	Outer sheath	PVC		PVC	-	-
	Diameter/core	Φ 5mm / 3 x 0.3mm ²		Φ 5mm / 3 x 0.3mm ²	-	-
	Length	2m,3m,5m		2m,3m,5m	-	-
Remarks						

*In ordering, please specify cable specification (outer sheath and length) as following example.



Ordering example (PVC cable 3m)

BES516-325-ESTM-03