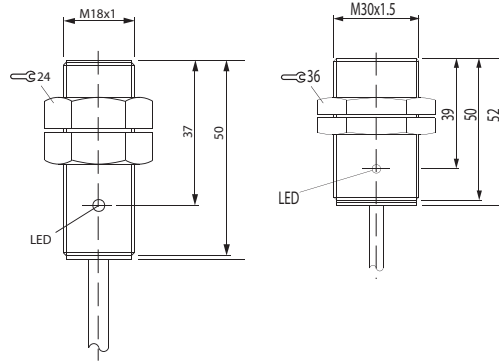
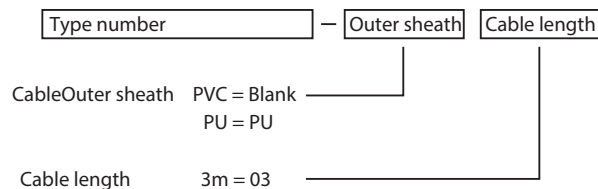


Housing size	M18 x 1	M30 x 1.5	-	-
Mounting type	Shield A	Shield A	-	-
Rated operating distance(Sn)	5mm	10mm	-	-
Assured operating distance(Sa)	0...4mm	0...8mm	-	-



Type number	AC2W N.O.	BES516-420 E3TM	BES516-418 E3TM	-	-
Rated operational voltage(Ue)		100...220V AC/40...60Hz	100...220V AC/40...60Hz	-	-
Supply voltage(Us)		90...250V AC/40...60Hz	90...250V AC/40...60Hz	-	-
Voltage drop(Ud)		=<8.5V	=<8.5V	-	-
Rated operational current(Ia)		5...200mA	5...200mA	-	-
Inrush current (T=<20ms)		2A	2A	-	-
Off-state current(Ir)		=<1...3mA	=<1...3mA	-	-
Circuit protection		Polarity, Short circuit	Polarity, Short circuit	-	-
Ambient temperature range(Ta)		-25...+70degrees C	-25...+70degrees C	-	-
Frequency of operation(f)		15Hz	15Hz	-	-
LED indication		Yes	Yes	-	-
Protection class per IEC60529		IP67	IP67	-	-
Material	Housing	PTFE coated brass	PTFE coated brass	-	-
	Active surface	PTFE	PTFE	-	-
Connection		Cable	Cable	-	-
Cable	Outer sheath	PVC	PVC	-	-
	Diameter/core	Φ 5mm / 2 x 0.5mm ²	Φ 5mm / 2 x 0.5mm ²	-	-
	Length	2m,3m,5m	2m,3m,5m	-	-
Remarks					

*In ordering, please specify cable specification (outer sheath and length) as following example.



Ordering example (PVC cable 3m)

BES516-420 E3TM-03