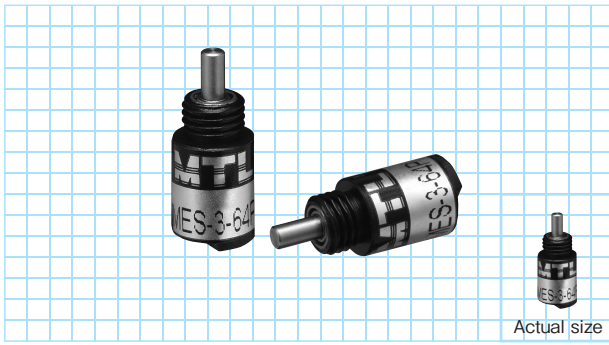


MES-3P series

[Square Wave/Incremental]

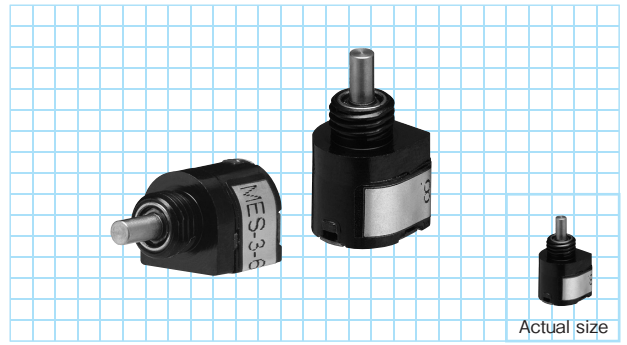


Specifications

Item	Type name	MES-3-64P
Supply voltage		DC3.2±0.1V
Current consumption		15mA or less
Detection system		Incremental
Output	Output pulse number (Standard) [Pulse number/rotation]	64P/R, 100P/R
	Output phase	A, B, Z phase
	Output form	Square wave, Voltage output
	Output capacity	Signal Type : C-MOS Compatible Current : IOL = +8mA, IOH = -2mA Voltage : VOL ≤ 0.3V (at IOL = +1mA) VOH ≥ Vcc - 0.3V (at IOL = -1mA) Load Voltage : 3.3V max(≤Vcc)
	Maximum response frequency (response pulse number)	100kHz
	Output phase difference	A, B phase difference : T/4 ± T/8 Z phase : T ± 0.5T
	Waveform rise/fall time	2μs or less (At 150mm flex. cable + 300mm AWG30 cable)
Starting torque		5×10 ⁻⁴ N·m or less (5gf·cm) or less
Allowable load of shaft (electrical)	Radial	0.98N (100gf)
	Thrust	0.98N (100gf)
Maximum allowable revolutions (mechanical)		6,000rpm
Working ambient temperature/humidity		0°C~60°C RH35%~90% no dewing
Storing ambient temperature		-20°C~80°C
Vibration resistance		Durability 55Hz, double amplitude 1.5mm 2 hours each in X, Y, and Z directions
Impact resistance		Durability 500m/s ² (about 50G) 3 times each in X, Y, and Z directions
Cable		Flexible cable: About 150mm in length
Mass		5g (include a flexible cable)

MES-3PST series

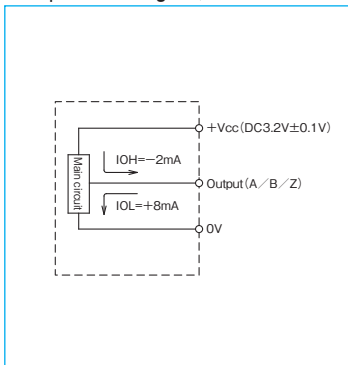
[Square Wave/Incremental]



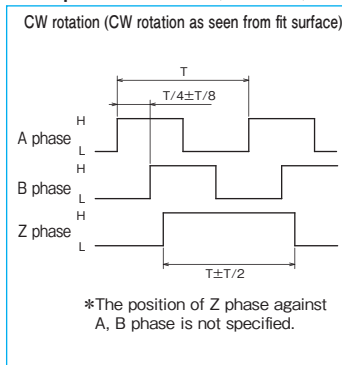
Specifications

Item	Type name	MES-3-64PST16
Supply voltage		DC3.2±0.1V
Current consumption		20mA or less
Detection system		Incremental
Output	Output pulse number (Standard) [Pulse number/rotation]	1024P/R (64P/R × 16 inner interpolatory)
	Output phase	A, B, Z phase
	Output form	Square wave, Voltage output
	Output capacity	Signal Type : C-MOS Compatible Current : IOL = +8mA, IOH = -2mA Voltage : VOL ≤ 0.3V (at IOL = +1mA) VOH ≥ Vcc - 0.3V (at IOL = -1mA) Load Voltage : 3.3V max(≤Vcc)
	Maximum response frequency (response pulse number)	100kHz
	Output phase difference	A/B phase difference : T/4 ± T/8 phase deviation : T ± 0.35T Z width : 1T
	Waveform rise/fall time	2μs or less (At 150mm flex. cable + 300mm AWG30 cable)
Starting torque		5×10 ⁻⁴ N·m or less (5gf·cm) or less
Allowable load of shaft (electrical)	Radial	0.98N (100gf)
	Thrust	0.98N (100gf)
Maximum allowable revolutions (mechanical)		6,000rpm
Working ambient temperature/humidity		0°C~60°C RH35%~90% no dewing
Storing ambient temperature		-20°C~80°C
Vibration resistance		Durability 55Hz, double amplitude 1.5mm 2 hours each in X, Y, and Z directions
Impact resistance		Durability 500m/s ² (about 50G) 3 times each in X, Y, and Z directions
Cable		Flexible cable: About 150mm in length
Mass		5g (include a flexible cable)

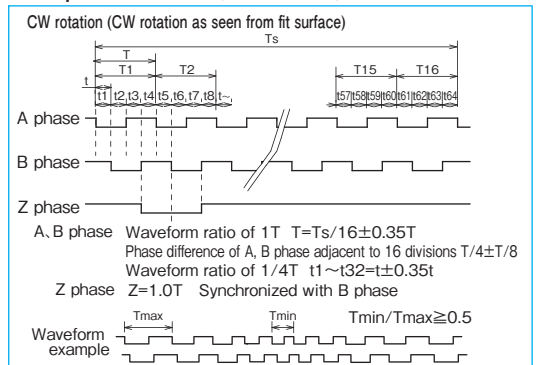
Output circuit diagram (ME-3P, ME-3PST)



Output waveform (ME-3P)

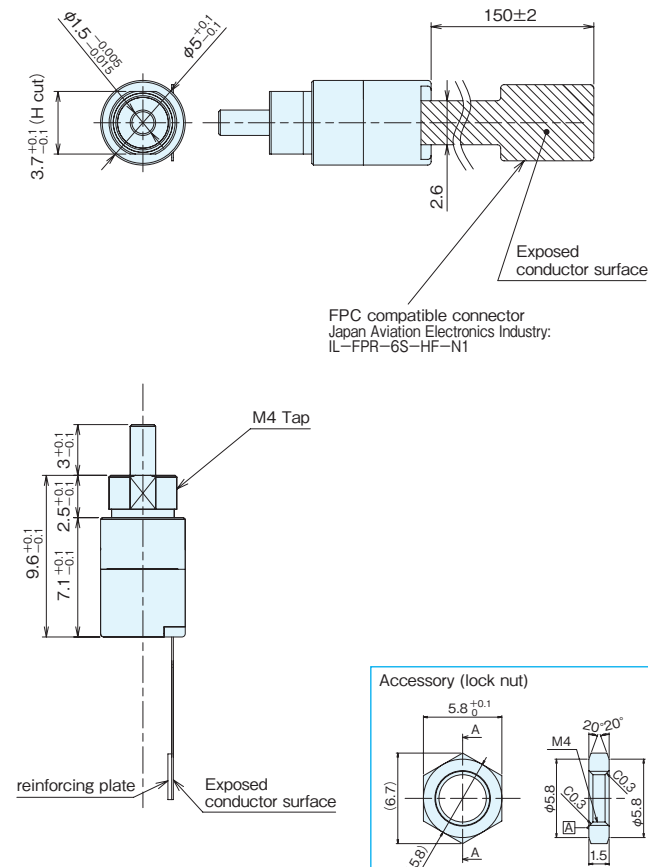


Output waveform (ME-3PST)



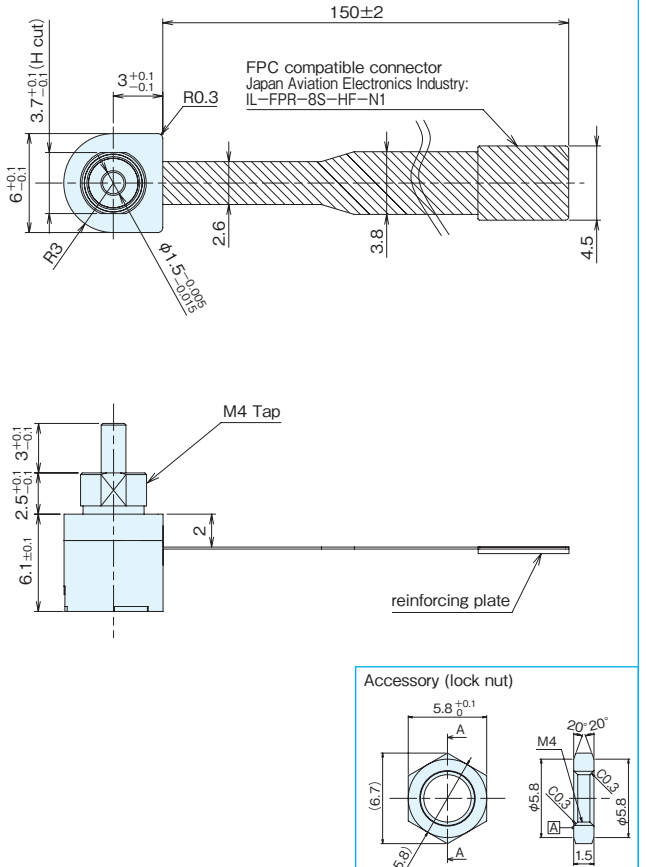
Outside dimensions

MES-3P

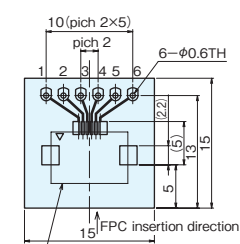


Outside dimensions

MES-3PST



Connection board (accessory)

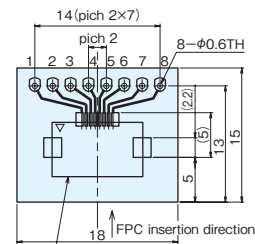


Wiring list

TH No.	Signal name
1	Vcc(DC3.2V±0.1V)
2	Z phase
3	0V
4	A phase
5	B phase
6	0V

Connector Japan Aviation Electronics Industry: IL-FPR-6S-HF-N1

Connection board (accessory)



Wiring list

TH No.	Signal name
1	Vcc(DC3.2V±0.1V)
2	No connection
3	No connection
4	Vcc(DC3.2V±0.1V)
5	Z phase
6	B phase
7	A phase
8	0V

Connector Japan Aviation Electronics Industry: IL-FPR-8S-HF-N1