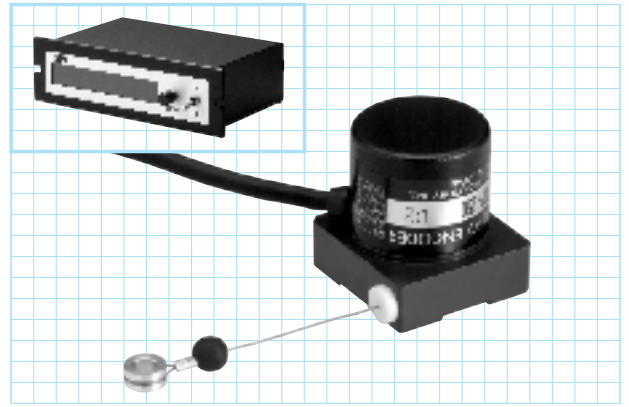


MLS-12 series

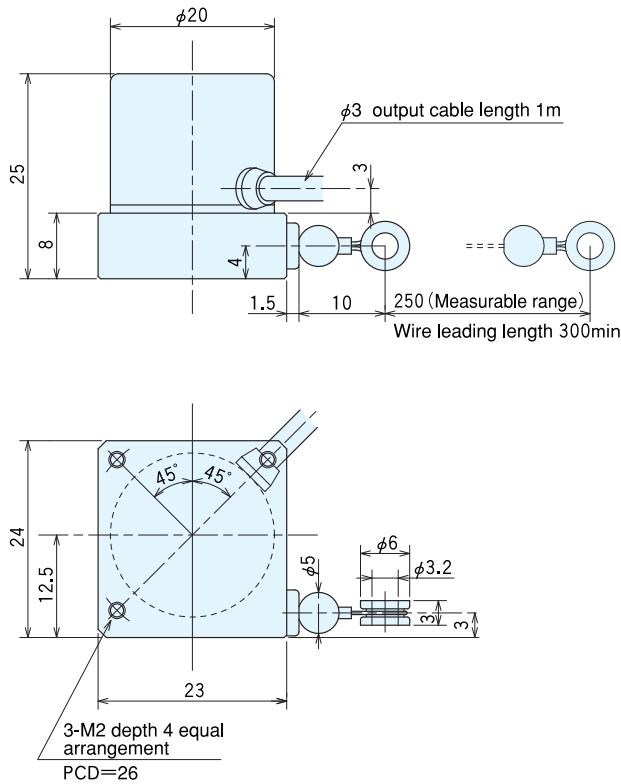
[Square Wave/Incremental]

- ▶ Smallest in the series: Outside dimensions 23×24×25 (H)
- ▶ Stroke: 250 mm
- ▶ Resolution: Selection from among 0.1mm, 0.04 mm
- ▶ Lightweight: 60 g



Outside dimensions

MLS-12



Specifications

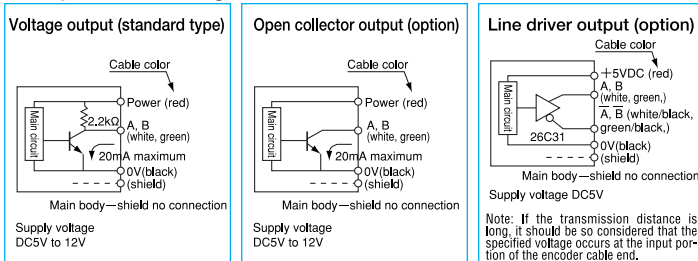
Type name		MLS-12- <input type="text"/> -250	
Item	Pulse number	Output circuit	
Measuring range	250mm		
Supply voltage	DC5V~12V ±10%		
Current consumption	40mA or less (under no load)		
Detection system	Incremental		
Stroke speed mm/sec	250		
Wire tensile force	0.39N~0.78N (40~80gf)		
Output	Output pulse number [Minimum resolution]	600 [0.1mm]	1,500 [0.04mm]
	Output phase	A, B phase	
	Output form	Square wave	
	Output capacity	Sink current: 20mA Residual voltage: 0.5V or less (at 10mA)	
	Maximum response frequency (response pulse number)	50kHz	
Working ambient temperature/humidity	0°C~50°C RH95% no dewing		
Storing ambient temperature	-20°C~80°C		
Vibration resistance	Durability 55Hz, double amplitude 1.5mm 2 hours each in X, Y, and Z directions		
Impact resistance	Durability 500m/s ² (about 50G) 3 times each in X, Y, and Z directions		
Cable	Outside diameter φ3 4-core Insulated shield cable (length 1m)		
Mass	60g		

Specifications/micro linear scale (detecting portion + indicating portion)

Type name	MLS-12-01-250	MLS-12-001-250
Measuring range mm	250	
Output pulse/1 mm	10	100
Counter accuracy pulse	±1	±1
Minimum reading	0.1	0.01
Power	AC100V 50/60Hz 180mA max	
Counter mode	10 Decimal	
Count indication	0~±999999.9	0~±99999.99
Reset	Reset switch provided *External signal resetting possible	
External output	*BCD parallel output	
Mass	700g	
Power cord	2m with plug	

Note: For counter specifications, see DC Series. * indicates option.

Output circuit diagram



Output waveform

