

# Remote System User's Guide

Remote Power Supply System	
Remote part	: RVT-211-22-PU-__
Base part	: RVE-211-2-PU-__

### Attention for Installation

(Read this section thoroughly before installation.)

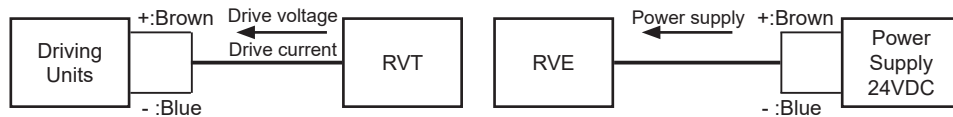
Before using the Remote Sensor, read this manual carefully.

During installation and operation, pay close attention to the safety aspect.

- ◆ Ensure the power is switched off during installation or maintenance operations.
- ◆ Use a regulated power supply, e.g. switch-model type.  
Simpler power supplies, such as a full-wave rectification type, will cause the permissible ripple rating to be exceeded and may cause malfunction.
- ◆ Ensure correct connections by reference to the wiring diagram.
- ◆ To avoid malfunction caused by induction noise, cable should be kept apart from motor or other power cable.
- ◆ When the resin (ABS or ABS + PBT) is used to the case or the transmission surface, please be sure to avoid organic solvent or liquid containing them to splash over.
- ◆ Please install cable end "wiring part" in so that there is no water and cutting fluid.  
(Water is transmitted to the internal from the cable core, there is a possibility of causing a problem such as short circuit or corrosion).
- ◆ Please do not face the output sensor to a metal at all times to avoid metal overheating or damage of the components.
- ◆ When the unit keeps to be using under out-of-specification distance/center offset/overload status for long time, it may be damaged by overheating.

### Outline

The power supply of 24VDC / 2A can be supplied to Remote part.



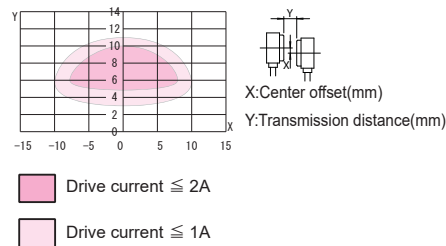
\*The white and black in a cable do not use.

### Specification

	Transmit part	Base part
Type code	RVT-211-22-PU-__	RVE-211-2-PU-__
Supply voltage	-	24V DC ± 5%
Current consumption	-	≤ 4A
Drive current and Center offset in Transmission distance	Transmission distance	Center off-set
	4...9mm	≤ ±5mm
	6...8mm	≤ ±3mm
Drive voltage	24V DC ± 1.5V	-
Cable	phi 7.8, 2x1.25mm <sup>2</sup> + 2x0.2mm <sup>2</sup> / PUR	
Operating temperature	0...+50 deg.C.	
Protection class	IP 67	

### Transmitting area diagram

[Supply voltage : 24V DC]

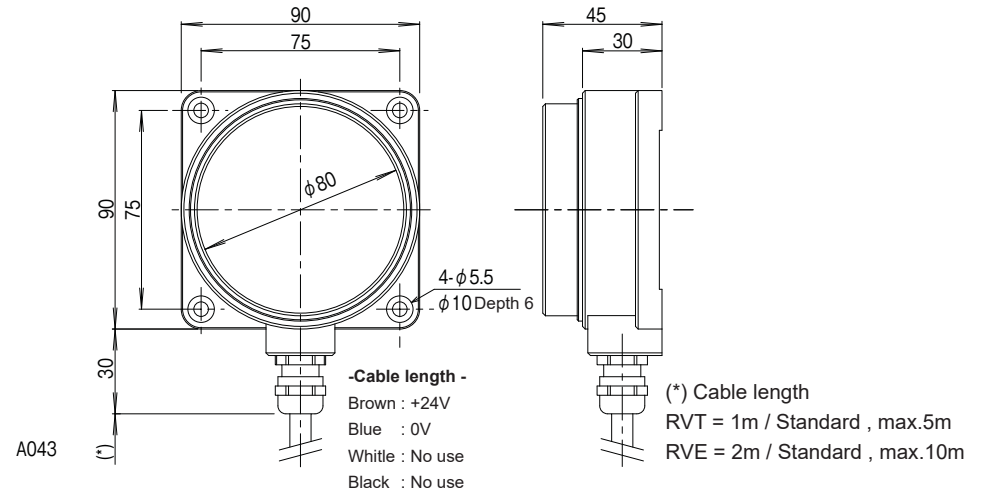


- ◆ Please note that the power supply may become unstable (such as chattering) when the transmission distance and the center offset are outside the specification range.

### Remote part / Base part

RVT-211-22-PU-\_\_

RVE-211-2-PU-\_\_



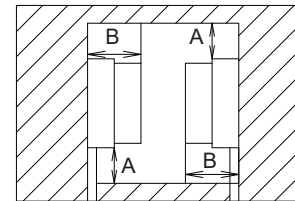
### Notes for wiring

- (1) The minimum bending radius of the cable is 50mm.
- (2) Cable length of Base part must not be longer than 10m and Remote part must not be longer than 5m.

### Installation

#### ■ Influence of Surrounding Metal

In order to avoid influence of surrounding metal, keep the free zone as described below.

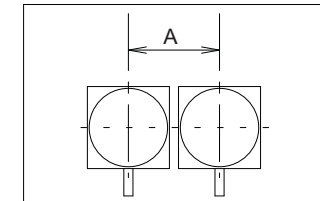


Type Number	A	B
RVT-211...	50	45
RVE-211...		

(mm)

#### ■ Mutual interference of the Head

In order to avoid influence parallel-mounted parts, keep free zone as described below.



Type Number	A
RVT-211...	300
RVE-211...	

(mm)

- < Note > Take measures so that ambient temperature is not over 50 degrees Celsius, for RCH08 produces fever.

Wireless Power Supply by  
**B & PLUS K.K.** (Former NIHON BALLUFF co., Ltd.)

Mail : b-plus-usa@b-plus-kk.com Web : http://www.b-plus-kk.com