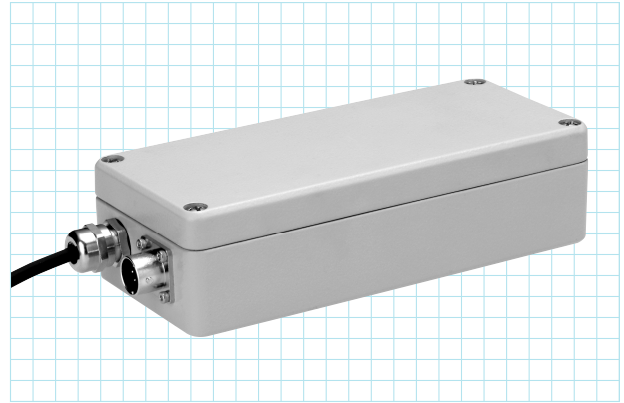


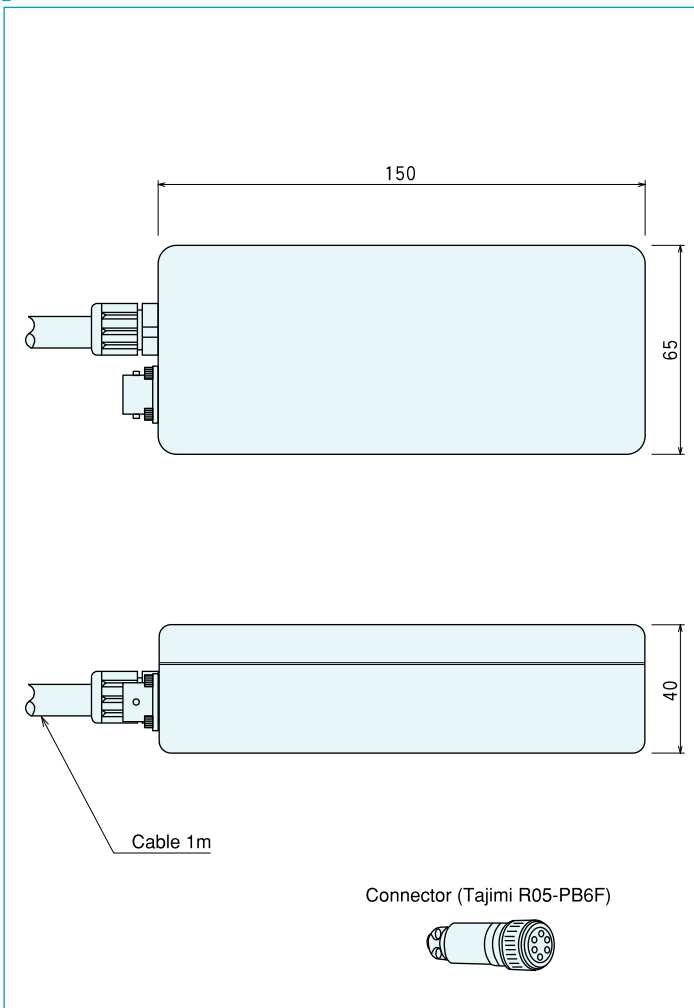
# MT-16S series

[ME-12PS, ME-20PS, ME-30PS,  
Splitter for ME-40PS Series]

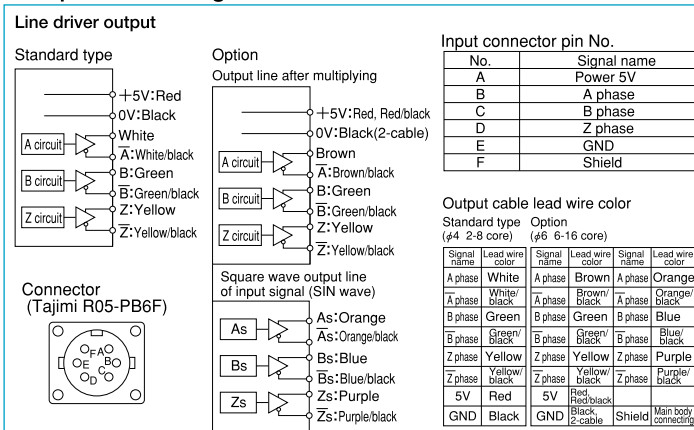
▶ It is possible to build it into counter DC-7.



## Outside dimensions



## Output circuit diagram



## Specifications

Item	Type name	MT-16S
Supply voltage		DC5V $\pm 5\%$
Current consumption		400mA or less
Detection system		Incremental
Output pulse number		Disk pulse output, selection (16 multiple, 8 multiple)
Output phase		As, Bs, Zs phase and A, B, Z phase
Z-phase output		$T \pm T/2$
Output form		Square wave (line driver output)
Response frequency		Input: 50Hz, 800kHz after dividing Input signal: by SIN, COS 2-phase oscillator
Output phase difference		$T/4 \pm T/8$ (see Output Waveform)
Waveform rise/fall time		0.5 $\mu$ s or less (cable 1m or less)
Output capacity		Level "H" $V_{OH}$ 2.5V MIN Level "L" $V_{OL}$ 0.5V MAX
Working ambient temperature/humidity		0°C ~ 50°C / RH35% ~ 90% no dewing
Storing ambient temperature		-20 ~ 80°C
Vibration resistance		Endurance 55Hz, double amplitude 1.5mm, 2 hours each in X, Y, and Z directions
Impact resistance		Endurance 500m/s <sup>2</sup> (about 50G), 3 times each in X, Y, and Z directions
Cable		Insulated shield cable Outside diameter $\phi 6.0$ (length 1m)
Mass		400g

## Output waveforms

