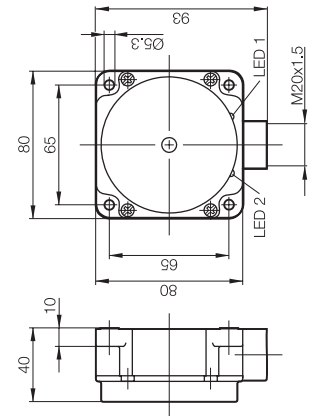
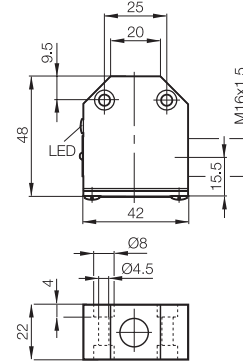
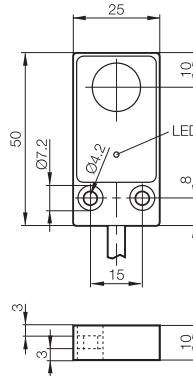
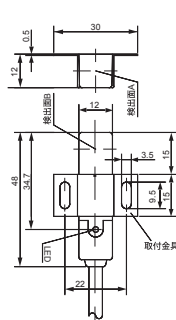
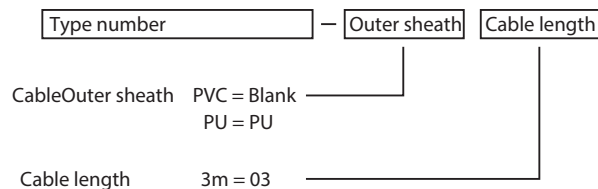


Housing size	RQ12	MO	H2	80 x 80 x 40
Mounting type	Non-shield A	Shield A	Shield A	Non-shield A
Rated operating distance(Sn)	10mm	5mm	5mm	50mm
Assured operating(Sa)	0...3.2mm	0...4mm	0...4mm	0...40mm



Type number	PNP	N.O. N.C. N.O.+N.C.	BES517-RQ1204P A/B	BES516-347 MO-Z	BES516-346-H2-L BES516-341-H2-L	- - -
Type number	NPN	N.O. N.C. N.O.+N.C.	BES517-RQ1204N A/B BES517-RQ1204N1 A/B	BES516-345 MO-Z	BES516-344-H2-L BES516-340-H2L	- - BES517-140-M6-CA1
Rated operational voltage(Ue)			12...24V DC	12...24V DC	12...24V DC	12...24V DC
Supply voltage(Ub)			10...30V DC	10...30V DC	10...30V DC	10...55V DC
Voltage drop(Ud)			=<1.5V	=<1.5V	=<3.5V	=<2.5V
Rated operational current(Ia)			200mA	100mA	130mA	200mA
No-load supply current(Io)			=<20mA	=<20mA	=<25mA	=<15mA
Off-state current(Ir)			=<0.08mA	=<0.08mA	=<0.08mA	=<0.08mA
Circuit protection			Polarity, Short circuit	Polarity, Short circuit	Polarity reversal	Polarity, Short circuit
Ambient temperature range(Ta)			-25...+70degrees C	-25...+70degrees C	-25...+70degrees C	-25...+70degrees C
Frequency of operation(f)			400Hz	500Hz	500Hz	100Hz
Function indication			Yes	Yes(No for 133MO-X)	Yes	Function, Power
Protection class per IEC60529			IP67	IP67	IP67	IP67
Material	Housing		PBT(with glass)	GC-AI	PBT	PBT
	Active surface		PBT(with glass)	PBT	PBT	PBT
Connection			Cable	Cable	Terminal/2.5mm <sup>2</sup>	Screw terminals/=<2.5mm <sup>2</sup>
Cable	Outer sheath		PVC	PVC or PUR	-	-
	Diameter/core		Φ 5mm / 3 x 0.3mm <sup>2</sup>	Φ 5mm / 3 x 0.3mm <sup>2</sup> / 4 x 0.25mm <sup>2</sup>	-	-
	Lenght		2m,3m,5m	3m,5m	-	-
Remarks			Mount cuff attached when delivery.			Adjustable by a potentiometer in the range of 25 to 60mm

\*In ordering, please specify cable specification (outer sheath and length) as following example.



Ordering example (PVC cable 3m)

BES516-345 MO-Z-03