

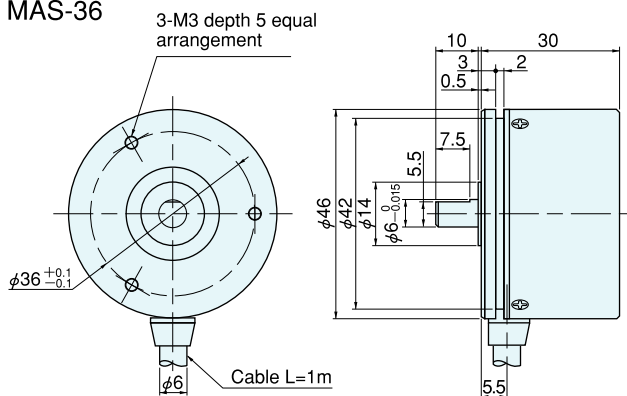
MA-36 series

[Absolute]

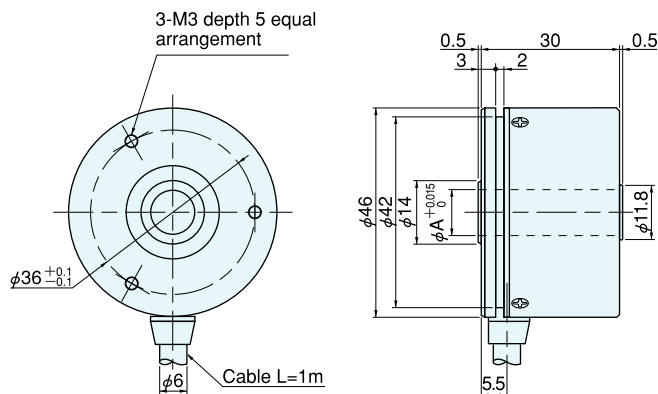


Outside dimensions

MAS-36

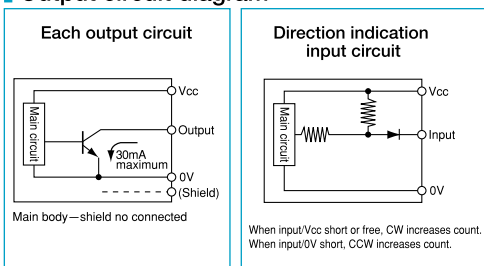


MAH-36



$\phi A = \phi 7$
 $= \phi 8$
 $= \phi 10$

Output circuit diagram



Specifications

Type name	MA□-36-□□□□	
Item	Shaft shape Output code Supply voltage ●S=single shaft ●G=gray code ●3=DC5~12V ●H=hollow shaft ●N=pure binary code ●4=DC24V	
Supply voltage	3:DC+5~12V±10% 4:DC24V±10%	
Current consumption	70mA or less (under no load)	
Output code	G:gray code N:pure binary code	
Logic	Negative logic (H=0, L=1)	
Resolution	256, 360, 512, 720, 1024	
Output circuit	NPN open collector	
Output capacity	Sink current each bit 30mA	
Allowable load of shaft (electrical)	Radial	19.6N (2kgf)
	Thrust	9.8N (1kgf)
Maximum revolutions	6000r/min	
Maximum response frequency	10kHz	
Starting torque	$5 \times 10^{-3} \text{N} \cdot \text{m}$ (50gf·cm) or less (no oil seal)	
Working temperature/humidity	0°C~60°C/RH35%~90% no dewing	
Storage temperature	-20°C~80°C	
Vibration resistance	Durability 55Hz, double amplitude 1.5mm 2 hours each in X, Y, and Z directions	
Impact resistance	Durability 500m/s ² (about 50G) 3 times each in X, Y, and Z directions	
Cable	Outside diameter $\phi 6.0$ 16-core vinyl wire Insulated shield cable (length 1m)	
Mass	180g	

Connection

Type	Output signal	
	MA36P-G	MA36P-N
cable color		
Brown	2 ⁰	2 ⁰
Brown/black	2 ¹	2 ¹
Orange	2 ²	2 ²
Orange/black	2 ³	2 ³
Yellow	2 ⁴	2 ⁴
Yellow/black	2 ⁵	2 ⁵
Green	2 ⁶	2 ⁶
Green/black	2 ⁷	2 ⁷
Blue	2 ⁸	2 ⁸
Blue/black	2 ⁹	2 ⁹
Purple	NC	NC
Purple/black	NC	NC
Red/black	NC	Rotating direction indication input
Red	Power	
Black	0V (COMMON)	
Black	0V (COMMON)	

Note: The shield is in the encoder and not connected. A capacitor (0.1mF) is connected between 0V and FG.

Resolution and code No.

Resolution	Code No.
256	0~255
360	76~435
512	0~511
720	152~871
1024	0~1023