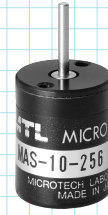


MAS-10 series

[Absolute]

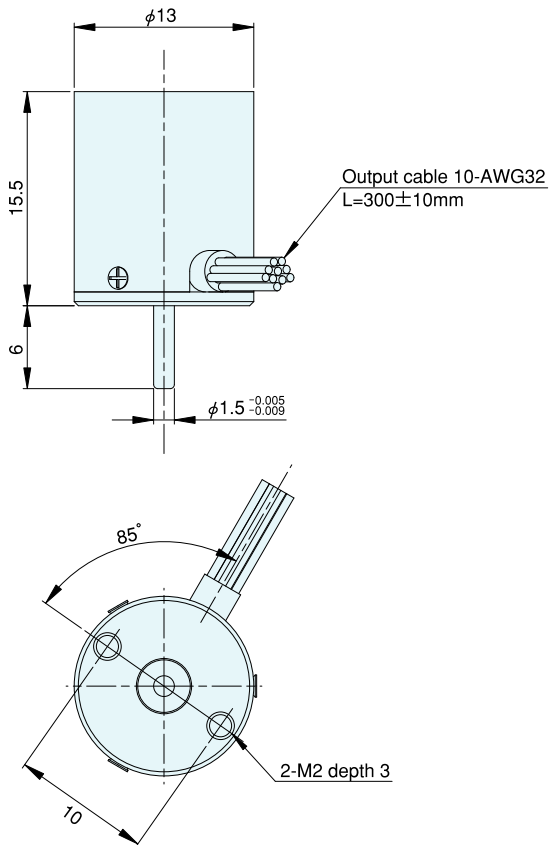
- Ultra compact absolute encoder
- $\phi 13 \times H15.5$
- Resolution 256 (8-bit)

NEW



Actual size

Outside dimensions



Specifications

Item	Type name	MAS-10-256G
Supply voltage		DC5V $\pm 5\%$
Current consumption		40mA or less (under no load)
Output code		G: gray code
Logic		Negative logic (H=0, L=1)
Resolution		256 (8 bits/rotation)
Output circuit		Voltage output
Output capacity		Sink current each bit 4mA max
Allowable load of shaft (electrical)	Radial	0.98N (100gf)
	Thrust	0.98N (100gf)
Maximum revolutions (mechanical)		6000r/min
Maximum response frequency		20kHz
Working temperature/humidity		0°C~+60°C/RH35%~90% no dewing
Storage temperature		-20°C~+80°C
Vibration resistance		Durability 55Hz, double amplitude 1.5mm 2 hours each in X, Y, and Z directions
Impact resistance		Durability 500m/s ² (about 50G) 3 times each in X, Y, and Z directions
Mass		10g

Connection

Cable color	MAS-10-256 G
Black	0V (COMMON)
Red	5V $\pm 5\%$
Brown	Output 2 ⁰
Orange	Output 2 ¹
Yellow	Output 2 ²
Green	Output 2 ³
Blue	Output 2 ⁴
Purple	Output 2 ⁵
Gray	Output 2 ⁶
White	Output 2 ⁷

I/O circuit diagram

