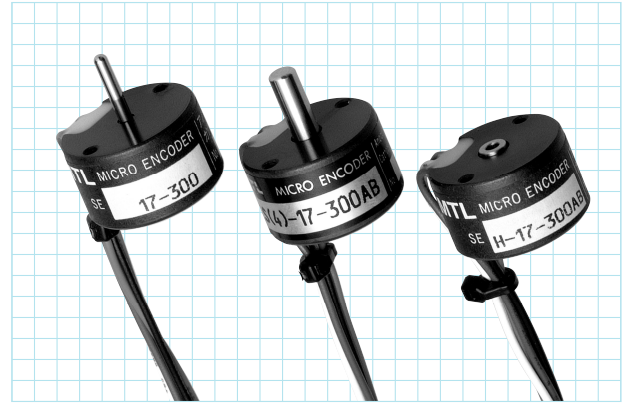
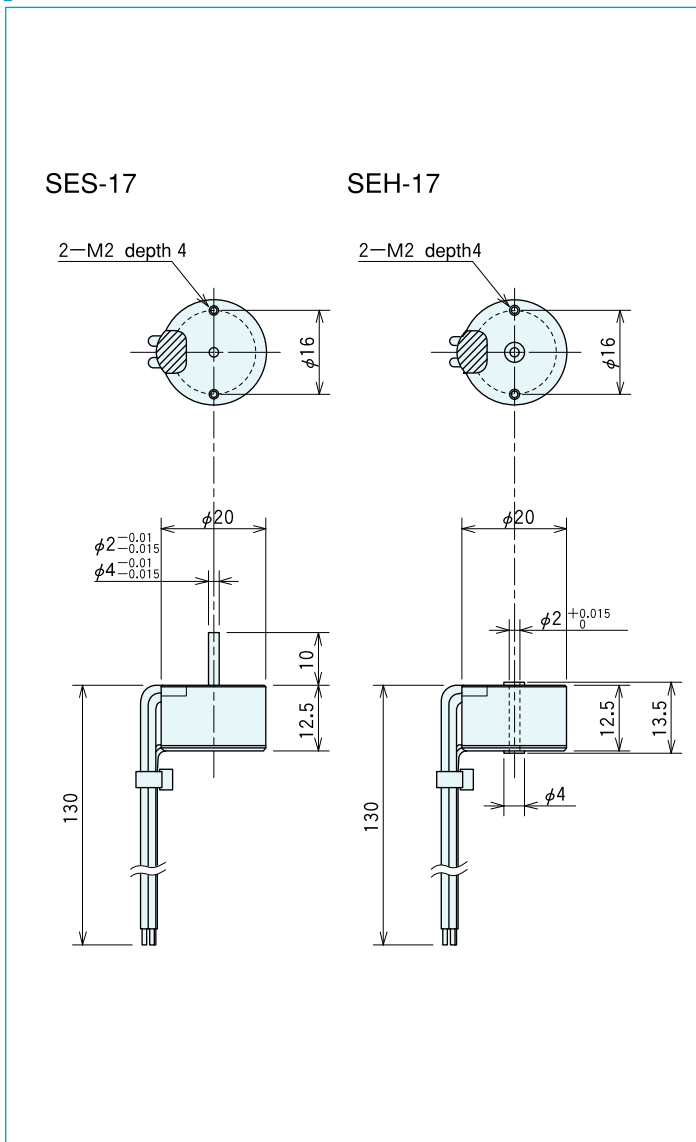


# SE-17 series

[Approximate Sine Wave/Incremental]



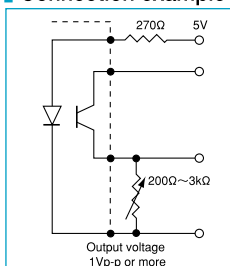
## Outside dimensions



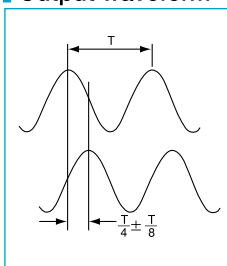
## Specifications

Type name		SE□-17-□□
Item	Supply voltage	DC5V $\pm 10\%$
	Current consumption	30mA (LED: maximum 20mA)
	Detection system	Incremental
Output	Output pulse number (Standard)	100, 200, 300
	[Pulse number/rotation]	360 (single phase only)
	Output phase	A phase, A, B phase
	Output form	Approximate sine wave
	Output capacity	—
	Maximum response frequency (response pulse number)	20kHz
	Output phase difference	A, B phase difference $90^\circ \pm 45^\circ$
	Waveform rise/fall time	—
	Starting torque	$0.3 \times 10^{-3} \text{N} \cdot \text{m}$ (3gf·cm) or less
Allowable load of shaft (electrical)	Radial	(2) 1.9N (200gf) / (4) 4.9N (500gf)
	Thrust	(2) 1.9N (200gf) / (4) 4.9N (500gf)
	Maximum allowable revolutions (mechanical)	6000r/min
	Working ambient temperature/humidity	$0^\circ\text{C} \sim 50^\circ\text{C}$
	Storing ambient temperature	$-20^\circ\text{C} \sim 80^\circ\text{C}$
	Vibration resistance	Durability 55Hz, double amplitude 1.5mm 2 hours each in X, Y, and Z directions
	Impact resistance	Durability $500 \text{m/s}^2$ (about 50G) 3 times each in X, Y, and Z directions
	Cable	Vinyl wire (AWG28) 130mm
	Mass	20g

## Connection example



## Output waveform



## Output circuit diagram

