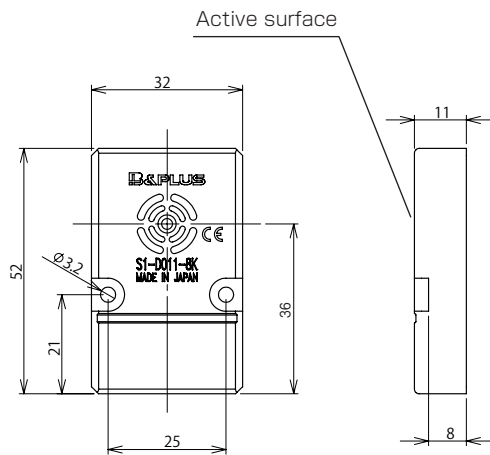


Dimension



Specification

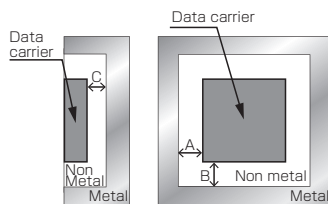
Function	Read / Write
Size	52 x 32 x 11mm
Case material	PBT
Memory	8K byte ^{*1}
Operating temperature	0... + 70 deg.C.
Storage temperature	- 20 ... + 70 deg.C.
Protection class	IP67 (IEC)
Memory type	FRAM
Write cycles	Unlimited
Read cycles	Unlimited
Data retention time	10 years after writing in date
Installation	It attaches with a M3 screw. (1.2Nm)
Mouting in steel	non-flash mount
Vibration	10...55Hz 1.5mm XYZ 2 hours 100G XYZ 10 cycles total 60 cycles
Shock	50G 10times to each axis X-Y-Z total 60 times
Weight	25 g

*1 The last 4 bytes cannot be used.

Installation

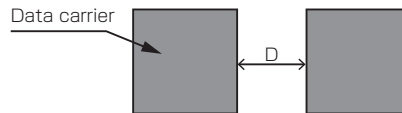
Installation in Metal

The surface of the Data carrier must not be lower than the surrounding metal.



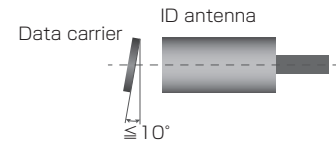
Installation in side-by-side

The minimum distance D between two Data carriers must be kept.



Permissible inclination

The sensing surfaces of Read/write head and Data carrier should be installed in parallel. If the inclination of Data carrier to Read/write head becomes over 10 degrees, read/write distance and offset will decrease.



(mm)

Applicable ID antenna	A	B	C	D
S3-A010-**	80	80	0	160
S3-A020-**	10	10	0	120
S3-A030-**	10	10	0	120

Appropriate Read/write head and max. Read/Write distance

Applicable ID antenna	S3-A010-**		S3-A020-**		S3-A030-**	
	On metal	Non metal	On metal	Non metal	On metal	Non metal
Mounting in metal						
Read distance(mm)	5...30	5...30	5...20	5...20	5...20	5...20
Write distance(mm)	5...30	5...30	5...20	5...20	5...20	5...20
Center offset (mm)	Distance 0mm	-	-	-	-	-
	5mm	± 5	± 5	± 5	± 5	± 5
	10mm	± 5	± 5	± 5	± 5	± 5
	15mm	± 5	± 5	± 5	± 5	± 5
	20mm	± 5	± 5	± 5	± 5	± 5
	25mm	± 5	± 5	-	-	-
30mm	± 5	± 5	-	-	-	-

Edition

A 2013.02.15 New document.

B 2014.02.04 Printing design change.