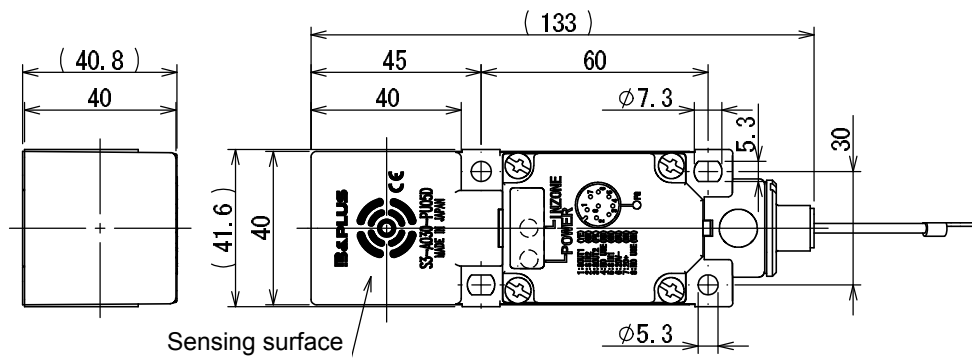
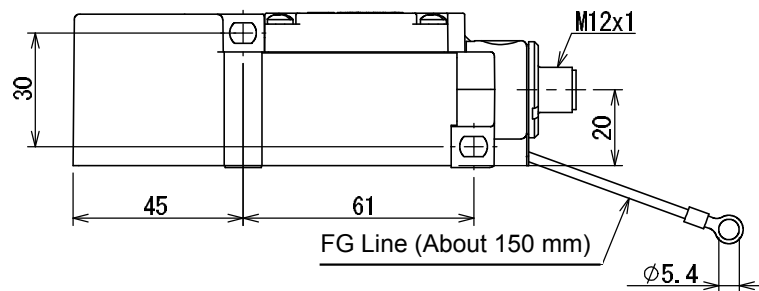


[Dimension]



Connector Pin assignments

Pin No.	Signal
1	SOUT1
2	SIN2
3	SOUT2
4	Not used
5	SIN1
6	20V-
7	20V+
8	Not used




[Specification]

Operating temperature	0...+70 deg.C.
Operating humidity	35...90% RH
Storage temperature	-20...+85 deg.C
Storage humidity	35...90% RH
Isolation	≥ 50M Ohm (at DC500VM), case to circuit
Dielectric strength	1000 VAC / 1 min. case to circuit
Vibration rating	10...55 Hz, amplitude 1.5 mm 2 hrs. each axis to x-y-z.
Protection class	IP67
Connector	M12 8 pin male connector
Housing material	ABS
Weight	250g
Applicable Data carrier	S1-D011-8K
Applicable Connector cable	S7-A001-PU**, S7-A002-PU**, S7-A003-PU**, S7-A004-PU**

[Notes]

1. Comply with the extremely low power radio station that is determined by the Radio Law of Japan.

Type code	S3-A030-CN	Date	2013.02.05	Rev.	A	Value date	2013.02.05	Contents.	New document.
		No.	D713201Ae						
		3RD ANGLE P.		1/2					