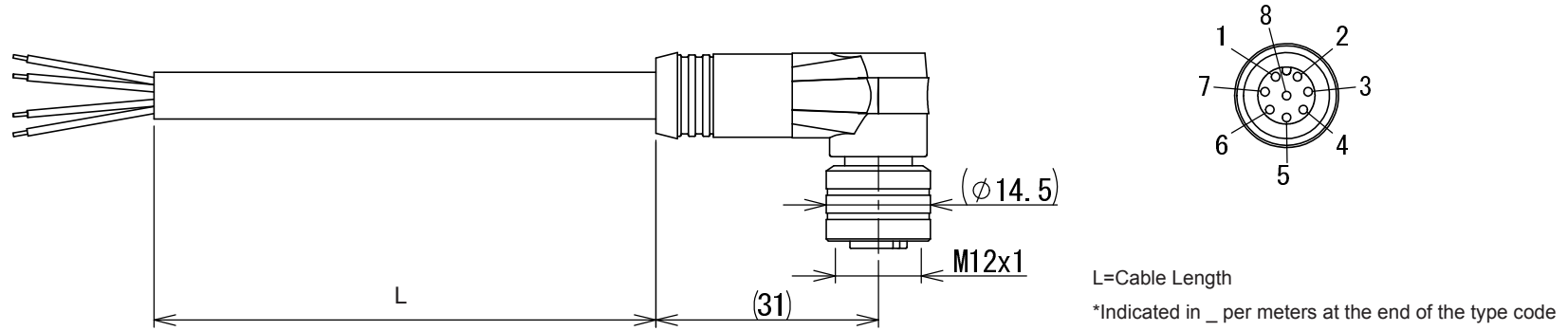


Type code: S7-A002-PU__

[Dimension]



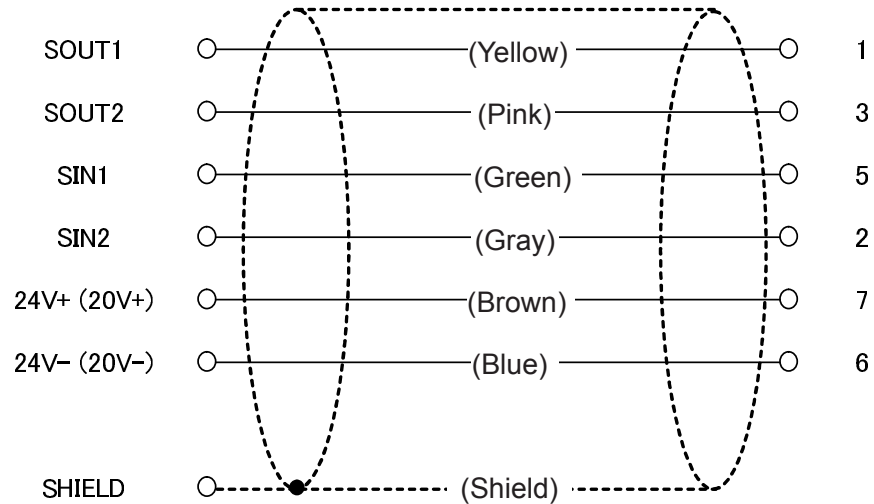
[Wiring]

Processor side

R/W head side
M12 8 pin Female connector

Signal name

Pin No.



Pin not listed is not connected

[Specification]

Applicable Processor	S4-Q001
Applicable Read/Write head	S3-A010-CN, S3-A010J-CN, S3-A020-CN, S3-A030-CN
Protection class	IP67
Cable	PUR : Phi7.4 mm / 8x0.25 mm ²
Connector	Round(M12 Angle) 8-pin female

Type code	S7-A002-PU__	Date	2013.05.01	Rev.	Value date	Contents.
		No.	D713405Ae	A	2013.05.01	New document.
		3RD ANGLE P.	1/1			