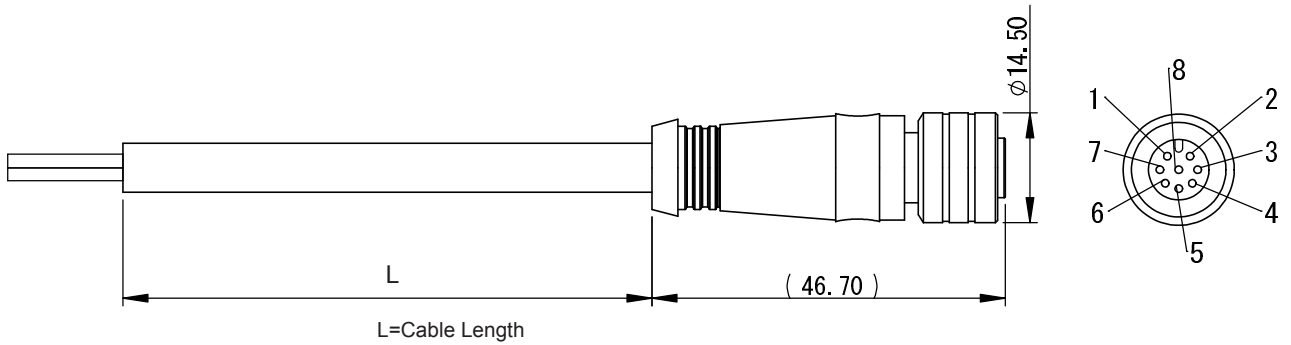


Type code: Z7-A001-PU__

[Dimension]

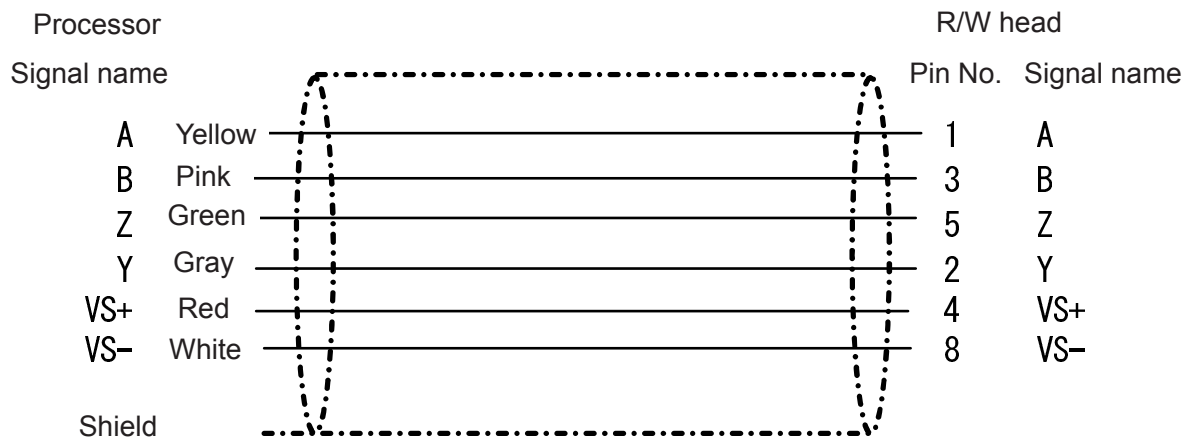
ID System Cable



L=Cable Length

*Indicated in __ per meters at the end of the type code

[Wiring]



[Specification]

Applicable Processor	Z4-Q001, Z4-Q002
Applicable Read/Write head	Z3-A010-CN
Protection class	IP67
Cable	PUR 8x0.25 mm ²
Connector	Read/Write head : Round 8-pin female

Type code	Z7-A001-PU__	Date	2013.05.01	Rev.	Value date	Contents.
		No.	D713501Ae	A	2013.05.01	New document.
		3RD ANGLE P. 	1/1			