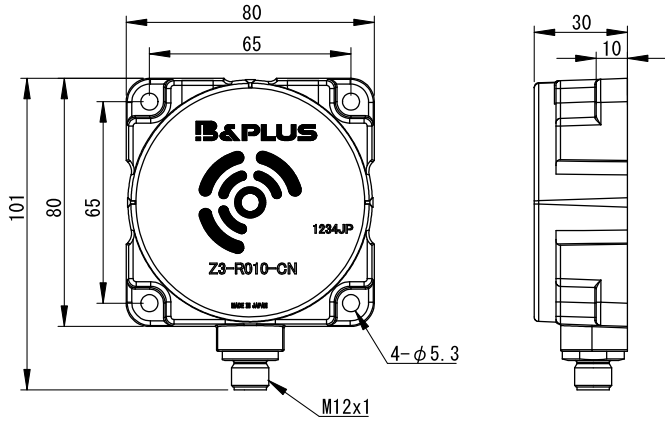


■ ID Reader/Writer

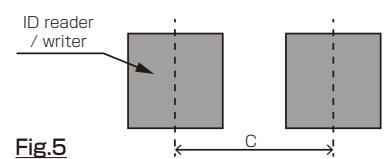
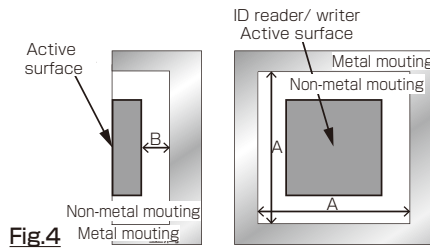


Type code	Z3-R010-CN
Supply voltage	24VDC+10%/-20%(including)
Current consumption	≤ 50mA
In zone output	OPEN DRAIN NPN or PNP (max power electric current 50mA)
Operating / Storage temperature	-0 ~ +50°C / -10 ~ +70°C
protective construction	IP67
Case material	PBT
Weight	90g
Mounting arrangement	Fixation with the M5 screw (Tightening torque 1.5 Nm)
Wireless Telegraphy Act	ARIB instruction-type read/write communication equipment. AC-13003 FCC ID:SWUDE-BNP R&TTE

Notes

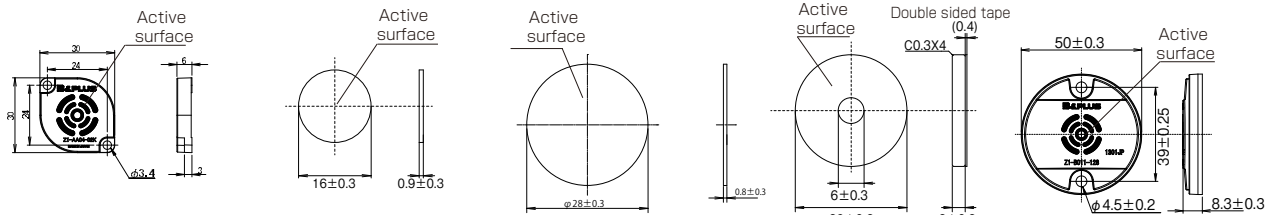
In order to avoid influence of surrounding metal, or to avoid mutual influence between parallel-mounted sensors, keep the minimum free zone as described below.

Mounting	Type code	Fig.	Non-metallic area (mm)		Fig.	Mutual interference D
			A	B		
Metal	Z3-R010-CN	4	200	0	5	500
Non-metal	Z3-R010-CN	4	200	40	5	500



ID tag

Type code	Z1-AA04-02K	Z1-FA01-128	Z1-FB01-128	Z1-EC02-128	Z1-B011-128
Features	Large-capacity tag	Flexible Data carrier	Flexible Data carrier	Ceramic Data carrier	Long distance Data carrier
Size	30 x 30 x 6	φ 16 x 0.9	φ 28 x 0.8	φ 26 x 3.4	φ 50 x 8.3
Memory capacity	2K byte	112 byte	112 byte	112 byte	112 byte



Mouting	Non-metal mounting	Non-metal mounting	Non-metal mounting	Non-metal mounting	Non-metal mounting
communication distance	0...34mm	0...42mm	0...60mm	0...34mm	0...54mm

- *As for the ID tag, five smallest lot becomes the sale by the unit.
- *The value of the communication distance is a reference value.
- *Metal mounting is the condition to install directly on metal. The surrounding (A) is a non-metal area.
- *Non-metal mounting is a state in which a non-metal area is around (A) and back (B) of ID reader / writer.
- *ID tags can not be mounted on metal.

■ Connector cable

Type code	Z7-A001A-PU-__	Z7-A002A-PU-__	Z7-A007-C1
Connector	Straight	Angle	Straight (with the AC adapter connection terminal) · D-Sub9 pin connector for connection and plug wiring for power supply connection.
Cable specification	PUR φ 7/8 x 24AWG Twisted pair / max. 15m	PUR φ 7/8 x 24AWG Twisted pair / max. 15m	(Recommended AC adapter:) MACP-2405 (product of MISUMI) · USB serial cable correspondence (recommended cable BSUSRC06 (product of BUFFALO))
Connector size	Round (M12) 8 pin / female	Round (M12) 8 pin / female	Round (M12) 8 pin / female

Wireless Power Supply by
B & PLUS K.K.

Mail : b-plus-usa@b-plus-kk.com
Web : http://www.b-plus-kk.com